

City of Columbus
Public Service Department
Design and Construction Division

Supplemental Specification 1630
Installation of Ground Mounted Signs and Sign Supports

January 1, 2023

- 1630.01 General**
- 1630.02 Execution**
- 1630.03 Materials**
- 1630.04 Sign Erection**
- 1630.05 Median Sign Installation**
- ~~**1630.06 Street Name Sign Supports (REMOVED)**~~
- 1630.07 Horizontal Alignment Sign Installation**
- 1630.08 Method of Measurement**
- 1630.09 Index**

1630.01 General

This supplement outlines the requirements for the installation of ground mounted sign and sign supports. In addition to this supplement, all plan notes, the City of Columbus Construction and Material Specifications (CMS) current edition, and the Ohio Manual of Uniform Traffic Control Devices (OMUTCD) current edition apply.

1630.02 Execution

This supplemental specification sets forth the requirements regarding materials to be employed and the location and installation of signs and sign supports.

1630.03 Materials

All materials to be used shall conform to this supplemental specification and materials outlined in the City of Columbus Construction and Material Specifications (CMS), current edition.

1630.04 Sign Erection

Signs to be erected on ground mounted supports shall conform to the tables and figures outlined in this supplemental specification.

1630.04.01 Standard Installation- Table 1.1, Fig. 1 & 2

Standard sign installation refers to the installation of a ground mounted sign support driven into the earth or embedded in concrete as specified in this supplement. The contractor shall not deviate from the specifications outlined without written permission from the project engineer.

1630.04.02 Combined Sign Installation- Table 1.2, Fig. 3

Combined sign installation refers to the installation of multiple sign shapes and configurations of signs either single or dual post mounted driven into the earth or embedded into concrete as specified.

1630.04.03 Standard and Combined Sign Stubbed Installation - Table 1.3, Fig. 4, Details D-1 & D-2

Standard stubbed installation refers to the installation of two or more structural members of the non breakaway or breakaway type.

1630.05 Median Sign Installation

Median sign installation details the minimum width of a raised median to install standard size signs and the correct sign applications in a series of raised medians as shown in Detail D-3.

~~1630.06 Street Name Sign Supports~~ **For Street Name Sign(s) See CIP Standard Drawing 2185**

~~Street name sign supports shall conform to the proper size, length and type of material as shown on Details D-4, D-5, & D-6 and the proper location as shown on Fig. 5~~

1630.07 Horizontal Alignment Sign Installation

Typical drawing for installation of warning signs W-30, W-32, & W-33 to properly locate sign supports from the edge of pavement or back of curb as shown on Detail D-7. Installation shall conform to the Ohio Manual of Uniform Traffic Control Devices (OMUTCD) current edition, for placement of warning signs in horizontal curves.

1630.08 Method of Measurement

Measurement will be made for specific items, furnished and installed in place, complete and accepted, in accordance with ITEM 630 of the City of Columbus Construction and Material Specifications (CMS) current edition and as quantified in the General Summary.

1630.09 Index

For an index of all tables, figures, and details, see sheet 26 of this supplemental specification.

**CITY OF COLUMBUS
DIVISION OF DESIGN AND CONSTRUCTION**

STANDARD SIGN INSTALLATIONS												
SIGNS	W"	H"	M'	Centroid Height C'	L'	D'	SqFt	Guage	LB/FT	POSTS	A" Dual post spacing C/C	Required Bolts
STOP	24	24	7	8.00	12.5	3.50	4.00	0.080	2	1		2
STOP	30	30	7	8.25	13.0	3.50	6.25	0.080	3	1		3
STOP	36	36	7	8.50	13.5	3.50	9.00	0.080	3	1		3
STOP	48	48	7	9.00	14.5	3.50	16.00	0.100	3	2	24	6
YIELD	24	20.78	7	7.87	12.5	3.77	1.73	0.080	2	1		2
YIELD	36	31.18	7	8.30	13.5	3.90	3.90	0.100	2	1		3
YIELD	48	41.57	7	8.73	14.0	3.54	6.93	0.100	2	2	24	4
YIELD	60	51.96	7	9.17	15.0	3.67	10.83	0.100	2	2	30	4
PENTAGON	30	30	7	8.25	13.0	3.50	4.69	0.080	2	1		3
PENTAGON	36	36	7	8.50	13.5	3.50	6.75	0.080	3	1		3
PENTAGON	42	42	7	8.75	14.0	3.50	9.19	0.100	3	1		3
CIRCLE	30	30	7	8.25	13.0	3.50	4.91	0.063	2	1		3
CIRCLE	36	36	7	8.50	13.5	3.50	7.07	0.080	3	1		3
CIRCLE	48	48	7	9.00	14.5	3.83	12.57	0.100	3	2		6
ISOSCELES	40	30	7	8.25	13.0	3.50	4.17	0.080	2	1		2
ISOSCELES	48	36	7	8.50	13.5	3.50	6.00	0.100	3	1		2
DIAMOND	18	18	7	8.06	13.0	3.88	2.25	0.063	2	1		2
DIAMOND	24	24	7	8.41	13.5	3.67	4.00	0.063	2	1		3
DIAMOND	30	30	7	8.77	14.5	3.96	6.25	0.063	3	1		3
DIAMOND	36	36	7	9.12	15.0	3.76	9.00	0.080	3	1		3
DIAMOND	48	48	7	9.83	16.5	3.84	16.00	0.100	3	2	30	6
DIAMOND	60	60	7	10.54	18.0	3.93	25.00	0.100	4	2	36	6

FOR TYPICAL DRIVEPOST INSTALLATION SEE STANDARD DRAWING 2191

Table 1.1 SHT. 1 of 4

CITY OF COLUMBUS
DIVISION OF DESIGN AND CONSTRUCTION

STANDARD SIGN INSTALLATIONS

SIGNS	W"	H"	M'	Centroid Height C'	L'	D'	SqFt	Guage	LB/FT	POSTS	A" Dual post spacing C/C	Required Bolts
HOR.RECT.	12	6	7	7.25	11.0	3.50	0.50	0.063	2	1		2
HOR.RECT.	18	6	7	7.25	11.0	3.50	0.75	0.063	2	1		2
HOR.RECT.	18	12	7	7.50	11.5	3.50	1.50	0.063	2	1		2
HOR.RECT.	21	15	7	7.63	12.0	3.75	2.19	0.063	2	1		2
HOR.RECT.	21	18	7	7.75	12.0	3.50	2.63	0.063	2	1		2
HOR.RECT.	24	6	7	7.25	11.0	3.50	1.00	0.063	2	1		2
HOR.RECT.	24	8	7	7.33	11.5	3.83	1.33	0.063	2	1		2
HOR.RECT.	24	10	7	7.42	11.5	3.67	1.67	0.063	2	1		2
HOR.RECT.	24	12	7	7.50	11.5	3.50	2.00	0.063	2	1		2
HOR.RECT.	24	18	7	7.75	12.0	3.50	3.00	0.063	2	1		2
HOR.RECT.	30	8	7	7.33	11.5	3.83	1.67	0.063	2	1		2
HOR.RECT.	30	10	7	7.42	11.5	3.67	2.08	0.063	2	1		2
HOR.RECT.	30	12	7	7.50	11.5	3.50	2.50	0.080	2	1		2
HOR.RECT.	30	15	7	7.63	12.0	3.75	3.13	0.080	2	1		2
HOR.RECT.	30	16	7	7.67	12.0	3.67	3.33	0.080	2	1		2
HOR.RECT.	30	18	7	7.75	12.0	3.50	3.75	0.080	2	1		2
HOR.RECT.	30	24	7	8.00	12.5	3.50	5.00	0.080	2	1		2
HOR.RECT.	36	6	7	7.25	11.0	3.50	1.50	0.080	2	1		2
HOR.RECT.	36	12	7	7.50	11.5	3.50	3.00	0.080	2	1		2
HOR.RECT.	36	15	7	7.63	12.0	3.75	3.75	0.080	2	1		2
HOR.RECT.	36	18	7	7.75	12.0	3.50	4.50	0.080	2	1		2
HOR.RECT.	36	24	7	8.00	12.5	3.50	6.00	0.080	2	1		2
HOR.RECT.	36	24	7	8.00	12.5	3.50	6.00	0.080	2	2	24	4
HOR.RECT.	36	30	7	8.25	13.0	3.50	7.50	0.080	3	1		2
HOR.RECT.	36	30	7	8.25	13.0	3.50	7.50	0.080	2	2	24	4
HOR.RECT.	40	20	7	7.83	12.5	3.83	5.56	0.080	2	2	28	4
HOR.RECT.	42	15	7	7.63	12.0	3.75	4.38	0.080	2	1		2

FOR TYPICAL DRIVEPOST INSTALLATION SEE STANDARD DRAWING 2191

Table 1.1 SHT. 2 of 4

CITY OF COLUMBUS
DIVISION OF DESIGN AND CONSTRUCTION

STANDARD SIGN INSTALLATIONS

SIGNS	W"	H"	M'	Centroid Height C'	L'	D'	SqFt	Guage	LB/FT	POSTS	A" Dual post spacing C/C	Required Bolts
HOR.RECT.	42	30	7	8.25	13.0	3.50	8.75	0.080	2	2	24	4
HOR.RECT.	42	36	7	8.50	13.5	3.50	10.50	0.100	2	2	24	4
HOR.RECT.	45	36	7	8.50	13.5	3.50	11.25	0.100	2	2	24	4
HOR.RECT.	48	8	7	7.33	11.5	3.83	2.67	0.080	2	2	30	4
HOR.RECT.	48	8.5	7	7.35	11.5	3.79	2.83	0.080	2	2	30	4
HOR.RECT.	48	14	7	7.58	12.0	3.83	4.67	0.080	2	2	30	4
HOR.RECT.	48	16	7	7.67	12.0	3.67	5.33	0.080	2	2	30	4
HOR.RECT.	48	18	7	7.75	12.0	3.50	6.00	0.080	2	1		2
HOR.RECT.	48	18	7	7.75	12.0	3.50	6.00	0.080	2	2	30	4
HOR.RECT.	48	20	7	7.83	12.5	3.83	6.67	0.080	3	1		2
HOR.RECT.	48	24	7	6.00	10.5	3.50	8.00	0.100	2	2	30	4
HOR.RECT.	48	24	7	8.00	12.5	3.50	8.00	0.100	2	2	30	4
HOR.RECT.	48	30	7	8.25	13.0	3.50	10.00	0.100	2	2	30	4
HOR.RECT.	48	36	7	8.50	13.5	3.50	12.00	0.100	3	2	30	4
HOR.RECT.	48	42	7	8.75	14.0	3.50	14.00	0.100	3	2	30	4
HOR.RECT.	54	30	7	8.25	13.0	3.50	11.25	0.100	2	2	30	4
HOR.RECT.	56	8	7	7.33	11.5	3.83	3.11	0.100	2	2	34	4
HOR.RECT.	60	12	7	7.50	11.5	3.50	5.00	0.800	2	2	36	4
HOR.RECT.	60	24	7	8.00	12.5	3.50	10.00	0.100	2	2	36	4
HOR.RECT.	60	30	7	8.25	13.0	3.50	12.50	0.100	3	2	36	4
HOR.RECT.	60	36	7	8.50	13.5	3.50	15.00	0.100	3	2	36	4
HOR.RECT.	60	40	7	8.67	14.0	3.67	16.67	0.100	3	2	36	4
HOR.RECT.	64	8	7	7.33	11.5	3.83	3.56	0.100	2	2	40	4
HOR.RECT.	66	24	7	8.00	12.5	3.50	11.00	0.100	2	2	42	4
HOR.RECT.	66	36	7	8.50	13.5	0.35	16.50	0.100	3	2	42	4
HOR.RECT.	72	12	7	7.50	11.5	3.50	6.00	0.100	2	2	48	4
HOR.RECT.	72	18	7	7.75	12.0	3.50	9.00	0.100	2	2	48	4

FOR TYPICAL DRIVEPOST INSTALLATION SEE STANDARD DRAWING 2191

Table 1.1 **SHT. 3 of 4**

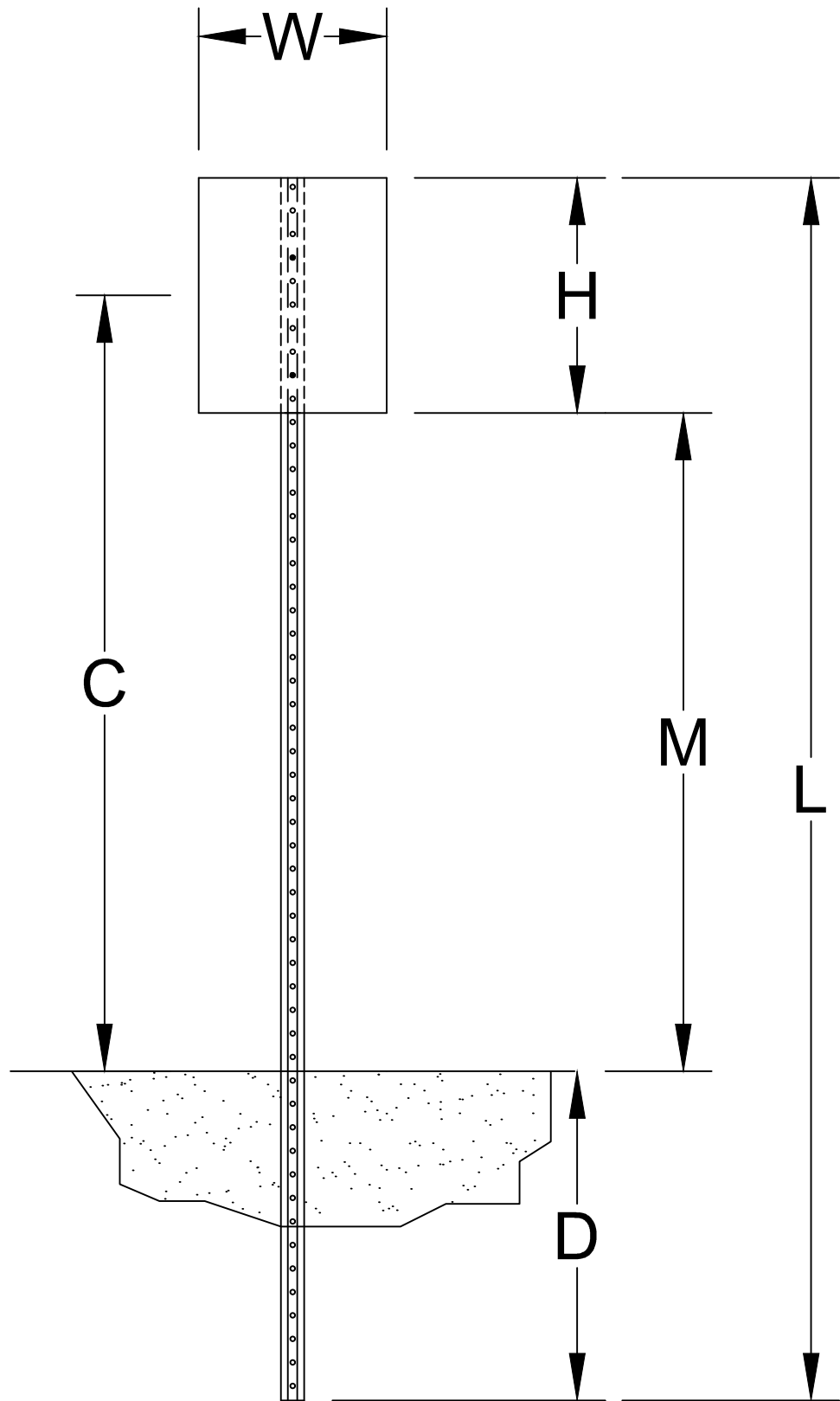
CITY OF COLUMBUS
DIVISION OF DESIGN AND CONSTRUCTION

STANDARD SIGN INSTALLATIONS												
SIGNS	W"	H"	M'	Centroid Height C'	L'	D'	SqFt	Guage	LB/FT	POSTS	A" Dual post spacing C/C	Required Bolts
HOR.RECT.	72	24	7	8.00	12.5	3.50	12.00	0.100	2	2	48	4
HOR.RECT.	72	36	7	8.50	13.5	3.50	18.00	0.100	3	2	48	4
HOR.RECT.	96	48	5	7.00	12.5	3.50	32.00	0.100	4	2	72	6
VERT.RECT	30	36	7	8.50	13.5	3.50	7.50	0.080	3	1		3
VERT.RECT	30	38	7	8.58	14	3.83	7.92	0.080	3	1		3
VERT.RECT	30	42	7	8.75	14	3.50	8.75	0.100	3	1		3
VERT.RECT	36	42	7	8.75	14	3.50	10.50	0.100	4	1		3
VERT.RECT	36	48	5	7.00	12.5	3.50	12.00	0.100	3	1		3
VERT.RECT	36	48	7	9.00	14.5	3.50	12.00	0.080	3	2	24	6
VERT.RECT	36	54	7	9.25	15	3.50	13.50	0.100	3	2	24	6
VERT.RECT	36	60	7	9.50	15.5	3.50	15.00	0.100	3	2	24	6
VERT.RECT	36	72	7	10.00	16.5	3.50	18.00	0.100	4	2	24	6
VERT.RECT	48	54	7	9.25	15	3.50	18.00	0.100	3	2	30	6
VERT.RECT	48	60	7	9.50	15.5	3.50	20.00	0.100	4	2	30	6
VERT.RECT	48	96	7	11.00	18.5	3.50	32.00	0.100	6	2	30	6
SQUARE	12	12	7	7.50	11.5	3.50	1.00	0.063	2	1		2
SQUARE	15	15	7	7.63	12	3.75	1.56	0.063	2	1		2
SQUARE	18	18	7	7.75	12	3.50	2.25	0.063	2	1		2
SQUARE	24	24	7	8.00	12.5	3.50	4.00	0.063	2	1		2
SQUARE	30	30	7	8.25	13	3.50	6.25	0.080	3	1		3
SQUARE	36	36	7	8.50	13.5	3.50	9.00	0.080	3	1		3
SQUARE	36	36	7	8.50	13.5	3.50	9.00	0.080	2	2	24	6
SQUARE	48	48	7	9.00	14	3.50	16.00	0.100	3	2	30	6

FOR TYPICAL DRIVEPOST INSTALLATION SEE STANDARD DRAWING 2191

Table 1.1 SHT. 4 of 4

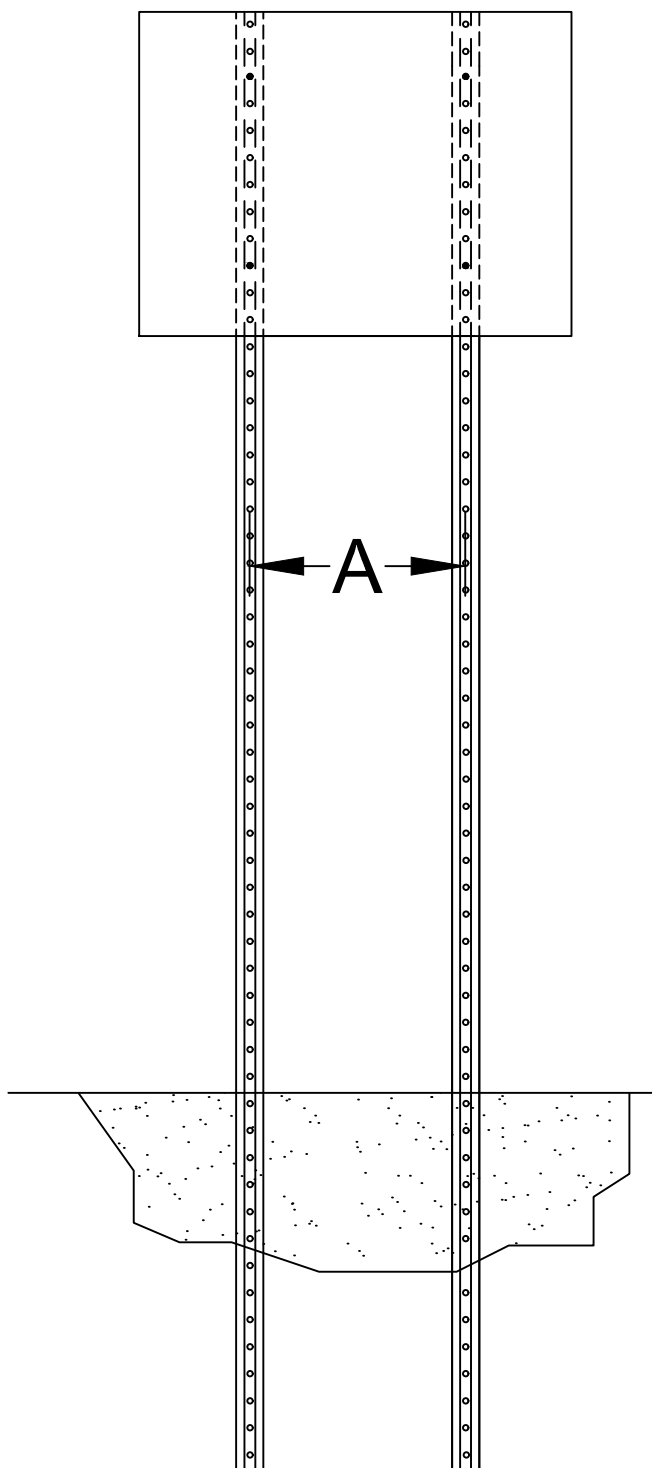
GROUND MOUNTED SIGNS AND SUPPORT DIMENSIONS (SINGLE POST)



STANDARD INSTALLATION

FIG. 1

GROUND MOUNTED SIGNS AND SUPPORT DIMENSIONS (DUAL POST)



STANDARD INSTALLATION

FIG. 2

CITY OF COLUMBUS
DIVISION OF DESIGN AND CONSTRUCTION

COMBINED SIGN INSTALLATIONS													
SIGNS	W"	H"	CH"	M'	Centroid Height C'	L'	D'	SqFt	COMBINED SqFt.	LB/FT	POSTS	post spacing C/C	Required Bolts
HORIZONTAL RECTANGLE	36	12						3.00					
STOP	30	30	42	7	8.75	14.0	3.50	6.25	9.25	3.00	1		5
HORIZONTAL RECTANGLE	48	18						6.00					
STOP	36	36	54	7	9.25	15.0	3.50	9.00	15.00	3.00	2	24	7
HORIZONTAL RECTANGLE	36	12						3.00					
YIELD	36	31.18	43.18	7	8.80	14.5	3.90	3.90	6.90	3.00	1		5
STOP	30	30						6.25					
VERTICAL RECTANGLE	18	24	54	7	9.25	15.0	3.50	3.00	9.25	4.00	1		5
STOP	30	30						6.25					
VERTICAL RECTANGLE	24	30	60	7	9.50	15.5	3.50	5.00	11.25	4.00	1		6
VERTICAL RECTANGLE	24	30						5.00					
DIAMOND 18	25.46	25.46	55.46	4*	9.31	15.5	3.88	2.25	7.25	3.00	1		5
DIAMOND 30	42.43	42.43						6.25					
HORIZONTAL RECTANGLE	24	12	54.43	7	9.27	15.5	3.96	2.00	8.25	3.00	1		5
DIAMOND 36	50.91	50.91						9.00					
HORIZONTAL RECTANGLE	30	24	74.91	7	10.12	17.0	3.76	5.00	14.00	3.00	2	24	8

* SEE MEDIAN SIGN INST. DETAIL D-3, MOUNT DIA 18 @ M=4' VERT. RECT. @M=7'

TABLE 1.2 SHT. 1 of 2

FOR DUAL POST SPACING (A") SEE FIGURE 2

**CITY OF COLUMBUS
DIVISION OF DESIGN AND CONSTRUCTION**

COMBINED SIGN INSTALLATIONS													
SIGNS	W"	H"	CH"	M'	Centroid Height C'	L'	D'	SqFt	COMBINED SqFt.	LB/FT	POSTS	A" Dual post spacing C/C	Required Bolts
DIAMOND 36	50.91	50.91						9.00					
HORIZONTAL RECTANGLE	24	18	68.91	7	9.87	16.50	3.76	3.00	12.00	3.00	2	24	8
DIAMOND 30	42.43	43.43						6.25					
SQUARE	18	18	60.43	7	9.52	16.00	3.96	2.25	8.50	3.00	1		5
DIAMOND 36	50.91	50.91						9.00					
SQUARE	24	24	74.91	7	10.12	17.00	3.76	4.00	13.00	3.00	2	24	8
HORIZONTAL RECTANGLE	48	24						8.00					
DIAMOND 18	25.46	25.46	49.46	3**	5.06	11.00	3.88	4.50	12.50	2.00	2	30	10
VERT. RECT.	24	30						5.00					
VERT. RECT.	12	18	56.48	7	9.00	14.50	3.50	1.50	6.50	3.00	1		5
HORZ. RECT.	24	6						1.00					
VERT. RECT.	24	36	42	7	8.75	14.00	3.50	6.00	7.00	3.00	1		5
HORZ. RECT.	36	12						3.00					
VERT. RECT.	36	48	60	7	9.50	15.50	3.50	12.00	15.00	3.00	2	24	10
HORZ. RECT.	24	8						1.33					
VERT. RECT.	24	30						5.00					
HORZ. RECT.	24	10	48	7	9.00	14.50	3.50	1.67	6.67	3.00	1		7

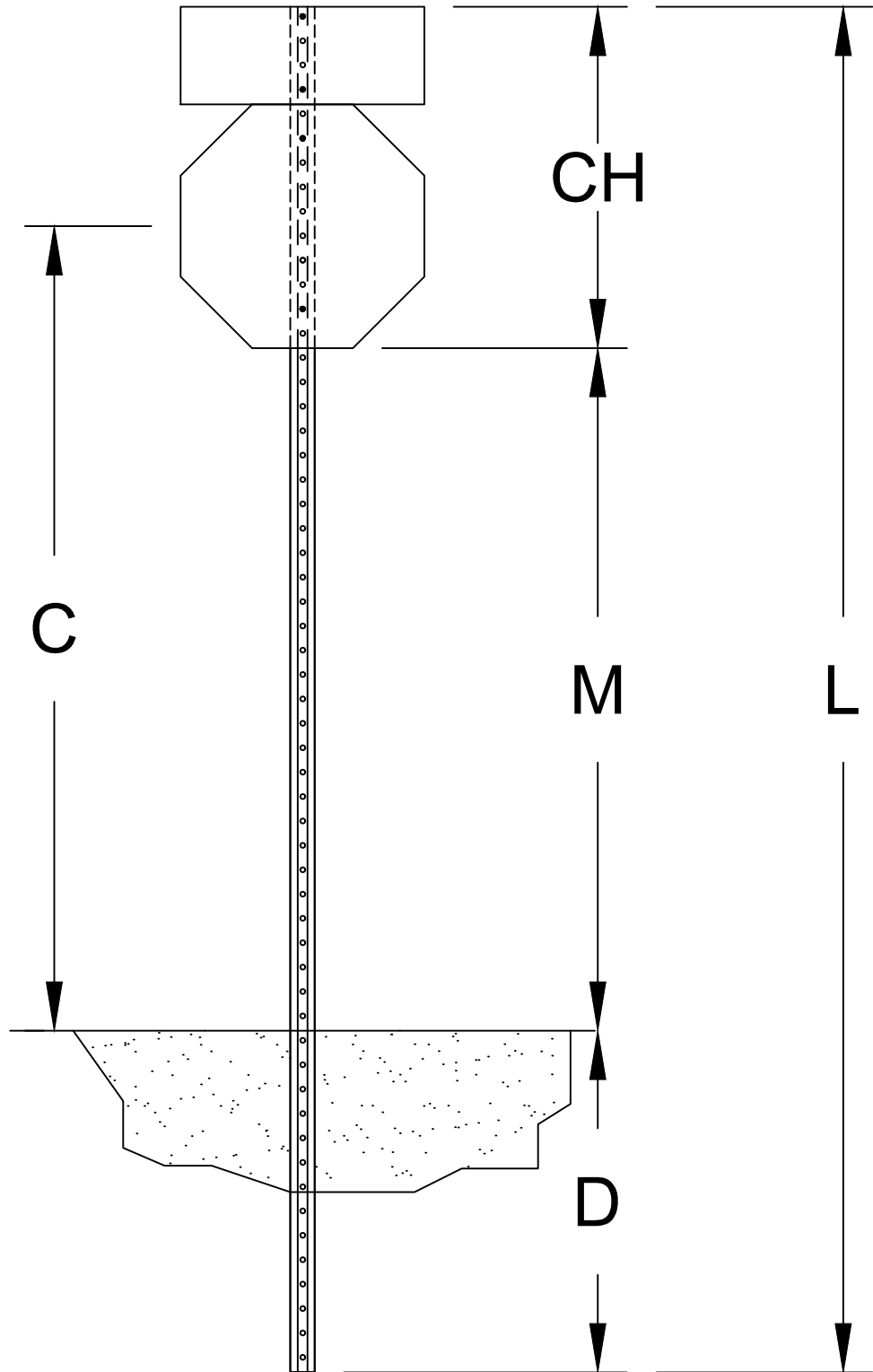
FOR TYPICAL DRIVEPOST INSTALLATION SEE STANDARD DWG 2191

Table 1.2 SHT. 2 of 2

FOR DUAL POST SPACING (A") SEE FIGURE 2

** SEE HORIZONTAL ALIGNMENT DETAIL D-7

GROUND MOUNTED SIGNS AND SUPPORT DIMENSIONS



COMBINATION INSTALLATIONS

FIG. 3

**CITY OF COLUMBUS
DIVISION OF DESIGN AND CONSTRUCTION**

STANDARD STUBBED SIGN INSTALLATION

SIGNS	W"	H"	M'	Centroid Height C'	D'	STUBS	STUB L'	SqFt	Guage	POSTS	POST L'	LB/FT	A" Dual post spacing C/C	REQ. Bolts
STOP	36	36	7.0	8.50	3.5	1	5	9.00	0.080	1	10.00	3		5
STOP	48	48	7.0	9.00	3.5	2	5	16.00	0.100	2	11.00	3	24	10
YIELD	36	31.18	7.4	8.70	3.5	1	5	3.90	0.100	1	10.00	2		5
YIELD	48	41.57	7.0	8.77	3.5	2	5	6.93	0.100	2	10.50	2	24	8
YIELD	60	51.96	7.1	9.34	3.5	2	5	10.83	0.100	2	11.50	3	30	8
PENTAGON	36	36	7.0	8.50	3.5	1	5	6.75	0.080	1	10.00	3		5
PENTAGON	42	42	7.0	8.75	3.5	1	5	9.19	0.100	1	10.50	3		5
CIRCLE 36	36	36	7.0	8.50	3.5	1	5	7.07	0.100	1	10.00	3		5
CIRCLE 48	48	48	7.0	9.00	3.5	2	5	12.57	0.100	2	11.00	3	24	10
ISOSCELES	48	36	7.0	8.50	3.5	1	5	6.00	0.100	1	10.00	2		4
DIAMOND 24	33.94	33.94	7.1	8.58	3.5	1	5	4.00	0.063	1	10.00	2		5
DIAMOND 30	42.43	42.43	7.4	9.23	3.5	1	5	6.25	0.080	1	11.00	3		5
DIAMOND 36	50.91	50.91	7.2	9.38	3.5	1	5	9.00	0.080	1	11.50	3		5
DIAMOND 48	67.88	67.88	7.3	10.17	3.5	2	5	16.00	0.100	2	13.00	3	30	10
HORZ. RECT.	42	36	7.0	8.50	3.5	2	5	10.50	0.100	2	10.00	2	24	8
HORZ. RECT.	45	36	7.0	8.50	3.5	2	5	11.25	0.100	2	10.00	2	24	8
HORZ. RECT.	48	36	7.0	8.50	3.5	2	5	12.00	0.100	2	10.00	3	30	8
HORZ. RECT.	48	42	7.0	8.75	3.5	2	5	14.00	0.100	2	10.50	3	30	8
HORZ. RECT.	60	36	7.0	8.50	3.5	2	5	15.00	0.100	2	10.00	3	36	8
HORZ. RECT.	60	40	7.1	8.84	3.5	2	5	16.67	0.100	2	10.50	3	36	8
HORZ. RECT.	66	36	7.0	8.50	3.5	2	5	16.50	0.100	2	10.00	3	42	8
HORZ. RECT.	72	36	7.0	8.50	3.5	2	5	18.00	0.100	2	10.00	3	48	8

FOR TYPICAL DRIVEPOST INSTALLATION SEE STANDARD DRAWING 2191

Table 1.3 SHT 1 of 4

**CITY OF COLUMBUS
DIVISION OF DESIGN AND CONSTRUCTION**

STANDARD STUBBED SIGN INSTALLATION

SIGNS	W"	H"	M'	Centroid Height C'	D'	STUBS	STUB L'	SqFt	Guage	POSTS	POST L'	LB/FT	A" Dual post spacing C/C	REQ. Bolts
VERT. RECT.	6	54	7.00	9.25	3.5	1	5	2.25	0.080	1	11.50	2		5
VERT. RECT.	12	36	7.00	8.50	3.5	1	5	3.00	0.063	1	10.00	2		5
VERT. RECT.	12	48	7.00	9.00	3.5	1	5	4.00	0.080	1	11.00	2		5
VERT. RECT.	24	36	7.00	8.50	3.5	1	5	6.00	0.080	1	10.00	3		5
VERT. RECT.	24	48	7.00	9.00	3.5	1	5	8.00	0.100	1	11.00	3		5
VERT. RECT.	30	36	7.00	8.50	3.5	1	5	7.50	0.080	1	10.00	3		5
VERT. RECT.	30	38	7.30	8.91	3.5	1	5	7.92	0.080	1	10.50	3		5
VERT. RECT.	30	42	7.00	8.75	3.5	1	5	8.75	0.100	1	10.50	3		5
VERT. RECT.	36	42	7.00	8.75	3.5	1	5	10.50	0.100	1	10.50	4		5
VERT. RECT.	36	48	7.00	9.00	3.5	2	5	12.00	0.080	2	11.00	3	24	10
VERT. RECT.	36	54	7.00	9.25	3.5	2	5	13.50	0.100	2	11.50	3	24	10
VERT. RECT.	36	60	7.00	9.50	3.5	2	5	15.00	0.100	2	12.00	3	24	10
VERT. RECT.	36	72	7.00	10.00	3.5	2	5	18.00	0.100	2	13.00	4	24	10
VERT. RECT.	48	54	7.00	9.25	3.5	2	5	18.00	0.100	2	11.50	3	30	10
VERT. RECT.	48	60	7.00	9.50	3.5	2	5	20.00	0.100	2	12.00	4	30	10
VERT. RECT.	48	96	7.00	11.00	3.5	2	5	32.00	0.100	2	15.00	6	30	10
SQUARE	36	36	7.00	8.50	3.5	1	5	9.00	0.080	1	10.00	3		5
SQUARE	36	36	7.00	8.50	3.5	2	5	9.00	0.080	2	10.00	2	24	10
SQUARE	48	48	7.00	9.00	3.5	2	5	16.00	0.100	2	11.00	3	30	10

FOR TYPICAL DRIVEPOST INSTALLATION SEE STANDARD DRAWING 2191

Table 1.3 SHT 2 of 4

**CITY OF COLUMBUS
DIVISION OF DESIGN AND CONSTRUCTION**

COMBINED STUBBED SIGN INSTALLATION

SIGNS	W"	H"	COMB. HEIGHT	M'	Centroid Height C'	D'	STUBS	STUB L'	SqFt	COMB. SqFt	POSTS	POST L'	LB/FT	A" Dual post spacing C/C	REQ. Bolts
HORZ. RECT.	36	12							3.00						
STOP	30	30	42.00	7.0	8.75	3.5	1	5.0	6.25	9.25	1	10.5	3		7
HORZ. RECT.	36	12							3.00						
STOP	36	36	48.00	7.0	9.00	3.5	1	5.0	9.00	12.00	1	11.0	4		7
HORZ. RECT.	36	12							3.00						
YIELD	36	31.18	43.20	7.4	9.20	3.5	1	5.0	3.90	6.90	1	11.0	3		7
STOP	30	30							6.25						
VERT. RECT.	18	24	54.00	7.0	9.25	3.5	1	5.0	3.00	9.25	1	11.5	4		7
STOP	30	30							6.25						
VERT. RECT.	24	30	60.00	7.0	9.50	3.5	1	5.0	5.00	11.25	1	12.0	4		8
VERT. RECT.	24	30							5.00						
VERT. RECT.	12	18	48.00	7.0	9.00	3.5	1	5.0	1.50	6.50	1	11.0	3		7
VERT. RECT.	18	24							3.00						
VERT. RECT.	24	30	54.00	7.0	9.25	3.5	1	5.0	5.00	8.00	1	11.5	3		7
VERT. RECT.	24	30							5.00						
SQUARE	18	18	48.00	7.0	9.00	3.5	1	5.0	2.25	7.25	1	11.0	3		7
HORT. RECT.	24	6							1.00						
VERT. RECT.	24	36	42.00	7.0	8.75	3.5	1	5.0	6.00	7.00	1	10.5	3		7
HORT. RECT.	24	6							1.00						
VERT. RECT.	24	30	36.00	7.0	8.50	3.5	1	5.0	5.00	6.00	1	10.0	3		7
HORT. RECT.	36	12							3.00						
VERT. RECT.	36	48	60.00	7.0	9.50	3.5	2	5.0	12.00	15.00	2	12.0	3	24	12

FOR TYPICAL DRIVEPOST INSTALLATION SEE STANDARD DRAWING 2191

Table 1.3 SHT 3 of 4

**CITY OF COLUMBUS
DIVISION OF DESIGN AND CONSTRUCTION**

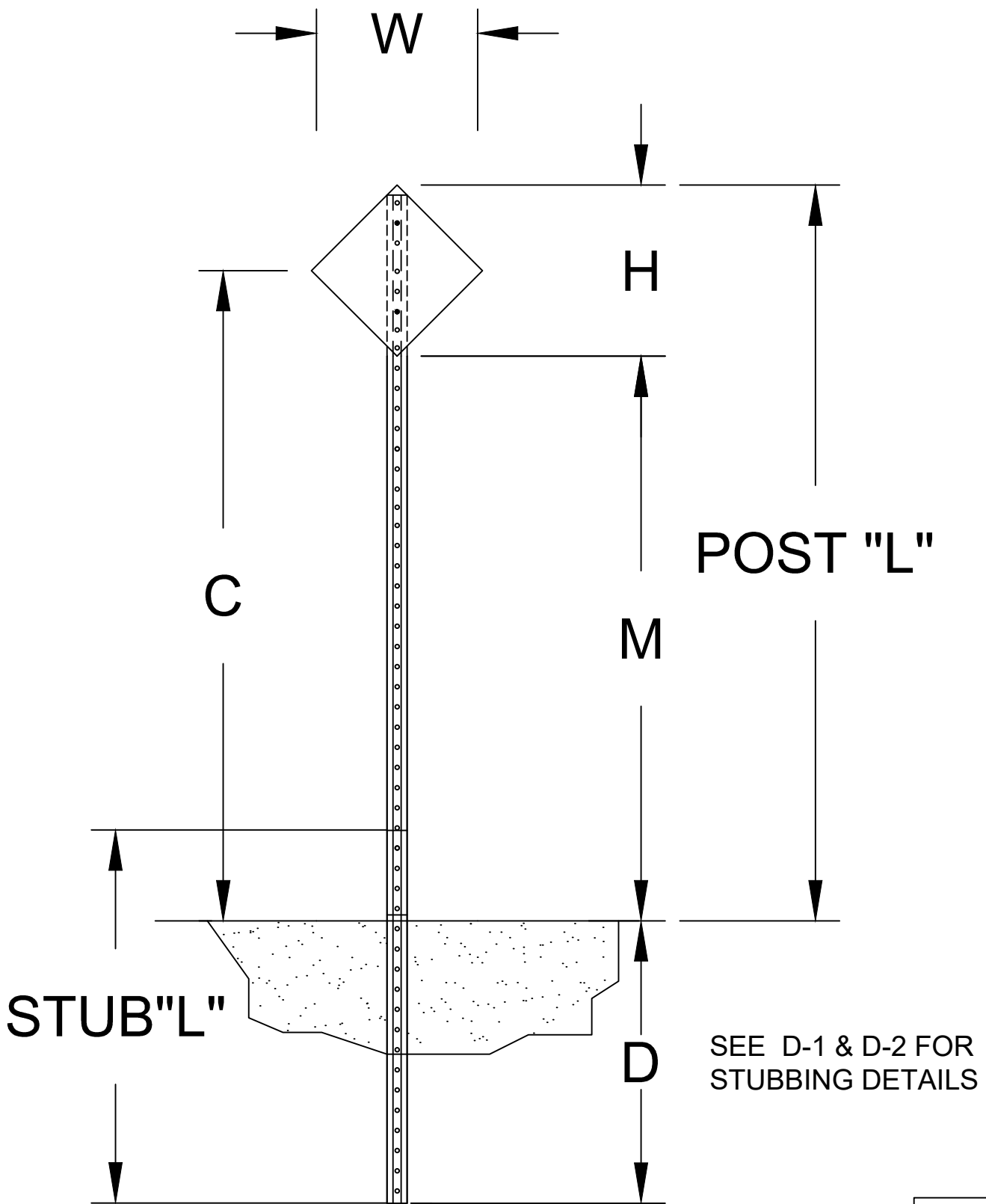
COMBINED STUBBED SIGN INSTALLATION															
SIGNS	W"	H"	COMB. HEIGHT	M'	Centroid Height C'	D'	STUBS	STUB L'	SqFt	COMB. SqFt	POSTS	POST L'	LB/FT	A" Dual post spacing C/C	REQ. Bolts
DIAMOND 30	42.43	42.43							6.25						
SQUARE	18	18	60.40	7.0	9.52	3.5	1	5.0	2.25	8.50	1	12.0	3		7
DIAMOND 36	50.91	50.91							9.00						
SQUARE	24	24	74.90	7.2	10.37	3.5	1	5.0	4.00	13.00	1	13.5	4		7
DIAMOND 30	42.43	42.43							6.25						
HORZ. RECT.	24	12	54.40	7.4	9.72	3.5	1	5.0	2.00	8.25	1	12.0	4		7
DIAMOND 36	50.91	50.91							9.00						
HORZ. RECT.	24	18	68.90	7.2	10.12	3.5	1	5.0	3.00	12.00	1	13.0	4		7
DIAMOND 36	50.91	50.91							9.00						
HORZ. RECT.	30	24	74.90	7.2	10.37	3.5	1	5.0	5.00	14.00	1	13.5	4		7
SQUARE	18	18							2.25						
VERT. RECT.	12	18	36.00	7.0	8.50	3.5	1	5.0	1.50	3.75	1	10.0	2		6
HORZ. RECT.	24	8							1.33						
VERT. RECT.	24	30							5.00						
HORZ. RECT.	24	10	48.00	7.0	9.00	3.5	1	5.0	1.67	8.00	1	11.0	3		9
VERT. VERT.	24	30							5.00						
DIAMOND 18	25.46	25.46	55.50	4*	9.71	3.5	1	5.0	2.25	7.25	1	12.0	3		8

FOR TYPICAL DRIVEPOST INSTALLATION SEE STANDARD DRAWING 2191

Table 1.3 SHT 4 of 4

* SEE DETAIL D-3, MOUNT DIA 18 @ M=4' , MOUNT VERT. RECT. @ M=7.4'

GROUND MOUNTED SIGNS AND SUPPORT DIMENSIONS



STUBBED INSTALLATIONS

FIG. 4

DRIVE POST STUBBING DETAIL 2&3 LB POST

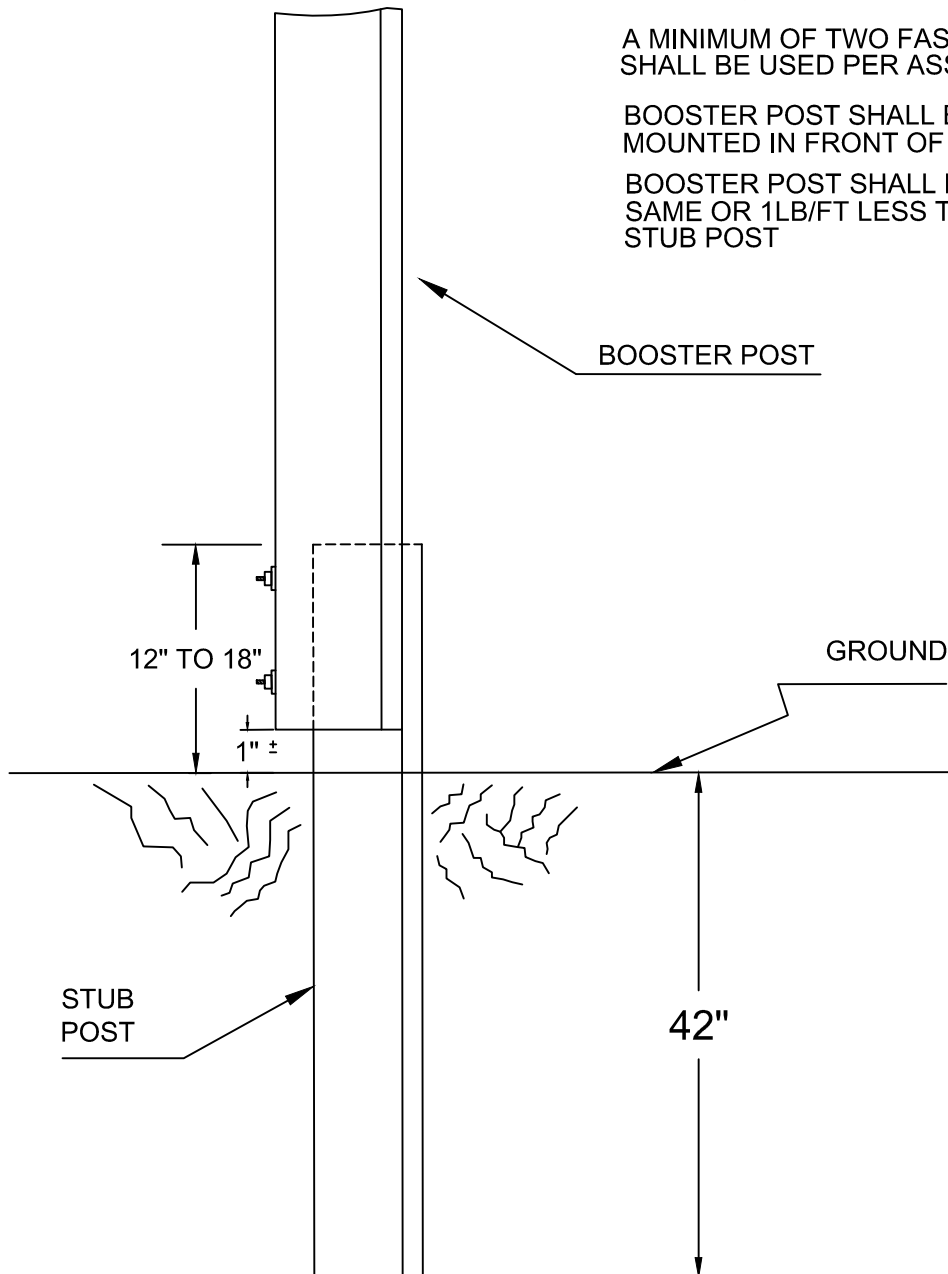
NOTES:

BOLTS SHALL BE STEEL AND SHALL BE LOCATED IN THE TOP HOLE OF BOOSTER.

A MINIMUM OF TWO FASTENERS SHALL BE USED PER ASSEMBLY.

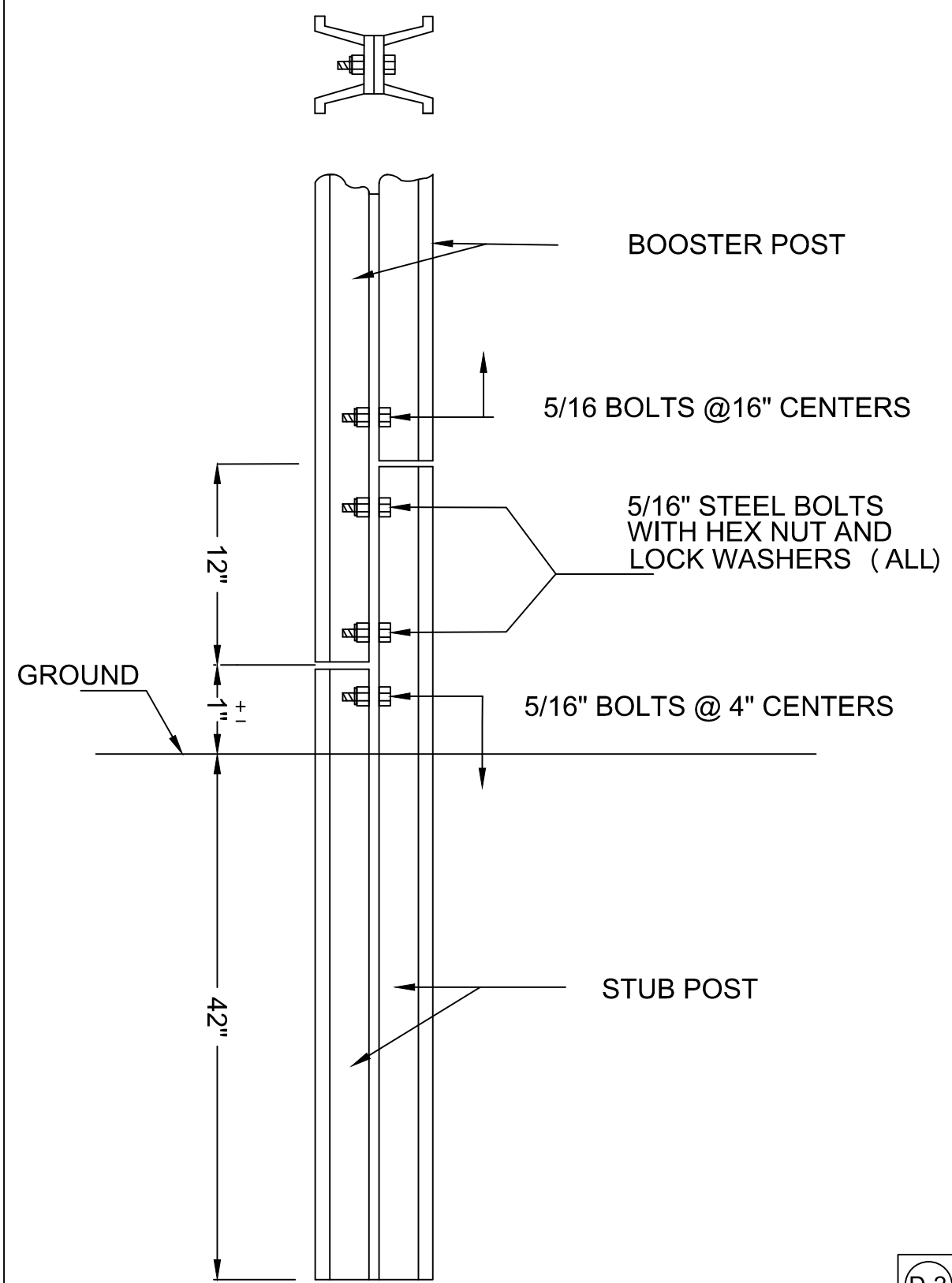
BOOSTER POST SHALL BE MOUNTED IN FRONT OF STUB POST.

BOOSTER POST SHALL BE THE SAME OR 1LB/FT LESS THAN STUB POST



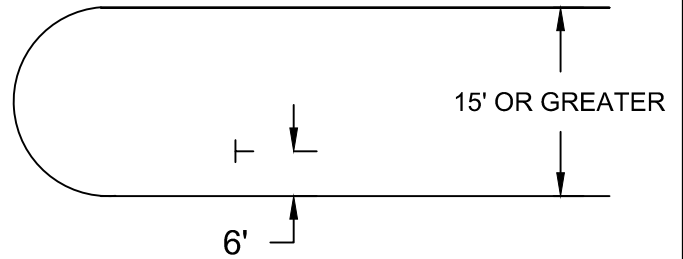
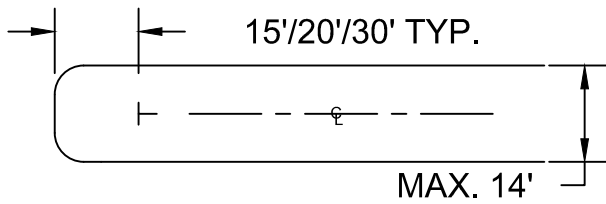
D-1

DRIVE POST STUBBING DETAIL 4&6 LB POST



(D-2)

MEDIAN SIGN INSTALLATION DETAILS

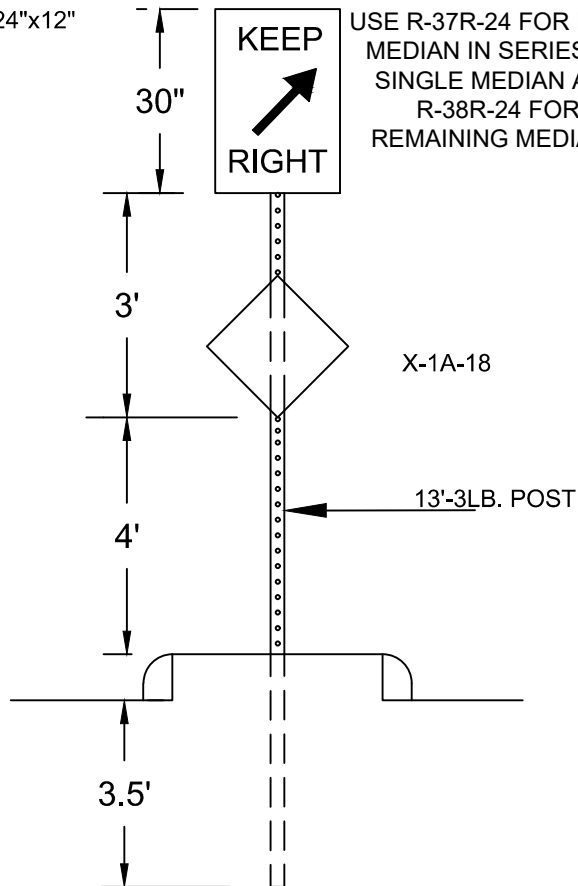


R-123-24



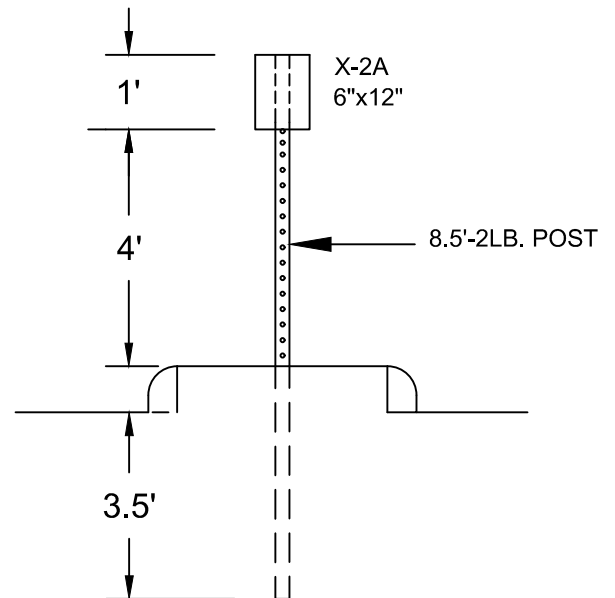
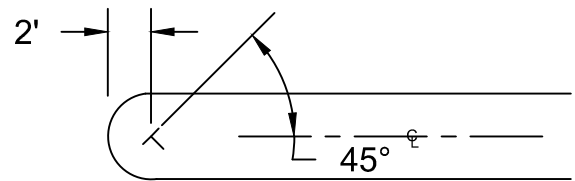
PLACE NO U TURN ASSEMBLY
ON BACK OF R-37/38

CM-RP-123.02
24"x12"



USE R-37R-24 FOR FIRST
MEDIAN IN SERIES OR
SINGLE MEDIAN AND
R-38R-24 FOR
REMAINING MEDIANS

ANGLED INSTALLATION



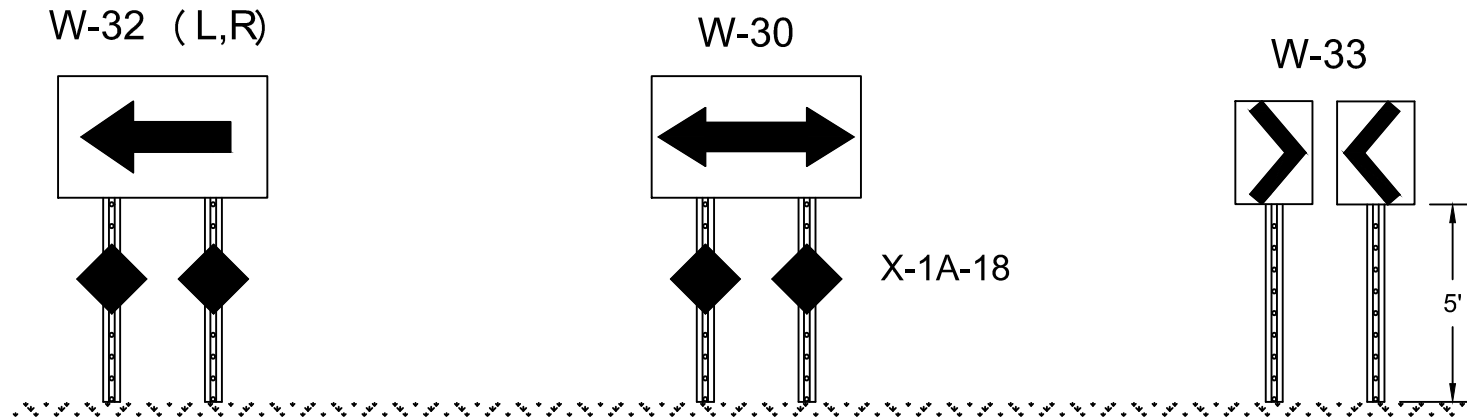
MEDIANS 4' OR GREATER IN WIDTH

MEDIANS LESS THAN 4'

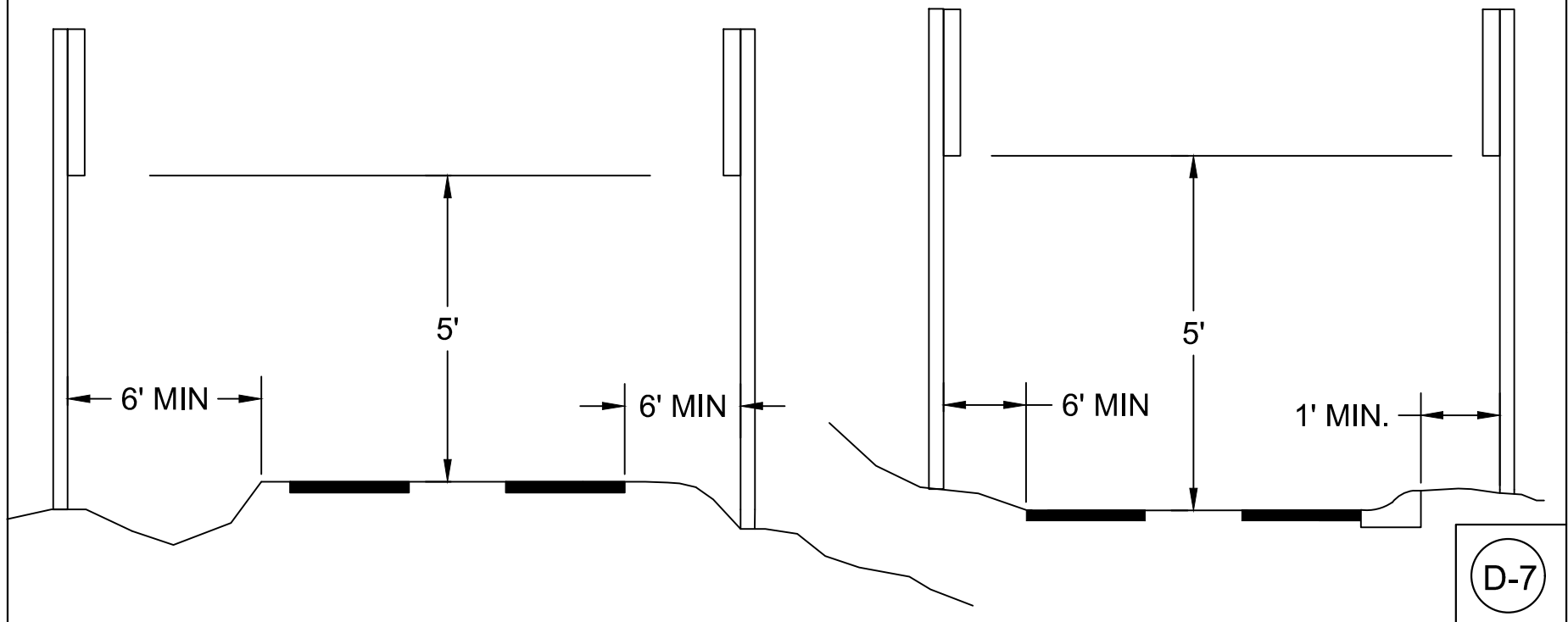
CITY OF COLUMBUS
PUBLIC SERVICE DEPARTMENT
DIVISION OF DESIGN AND
CONSTRUCTION

D-3

HORIZONTAL ALIGNMENT INSTALLATION DETAILS



W-30,W-32,& W-33 SHALL BE MOUNTED 5' ABOVE PAVEMENT,6' MINIMUM FROM EDGE OF PAVEMENT AND 1' MINIMUM FROM BACK OF CURB. W-30&W-32 SHALL HAVE (2) X-1A'S



INDEX

GENERAL INFORMATION

Page(s)

Installation of Ground Mounted Sign and Sign Supports..... 1 thru 3

TABLES

Standard Sign Installation Table 1.1..... 4 thru 7

Combined Sign Installation Table 1.2..... 10 & 11

Standard Stubbed Sign Installation Table 1.3..... 13 thru 16

FIGURES

Ground Mounted Signs and Support Dimensions (Single Post) Fig. 1.....8

Ground Mounted Signs and Support Dimensions (Dual Post).....Fig 2.....9

Ground Mounted Signs and Support Dimensions (Combined).....Fig 3.....12

Ground Mounted Sign and Support Dimensions (Stubbed).....Fig 4.....17

~~Street Name Sign Installation Standards (REMOVED)~~

DETAILS

Drive Post Stubbing Detail 2 and 3 LB. Posts D-1.....18

Drive Post Stubbing Detail 4 and 6 LB. Posts D-219

Median Sign Installation Detail D-3.....20

~~Arterial Street at Arterial Street Sign Support Installation Detail..... (REMOVED)~~

~~Arterial Street at Non-Arterial Street Sign Support Installation Detail (REMOVED)~~

~~Res./Local Street at Res./Local Street Sign Support Installation Detail (REMOVED)~~

Horizontal Alignment Installation Detail.....D-7.....21