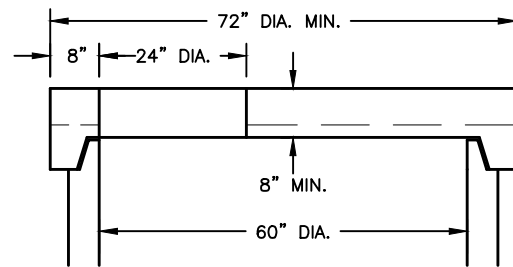
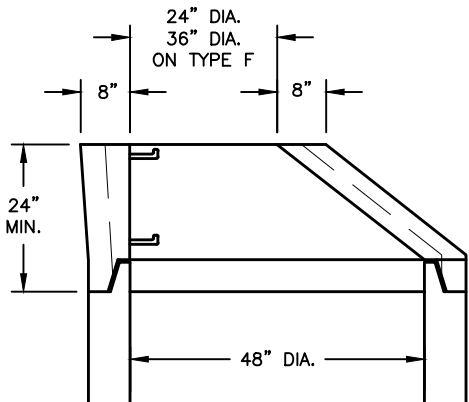


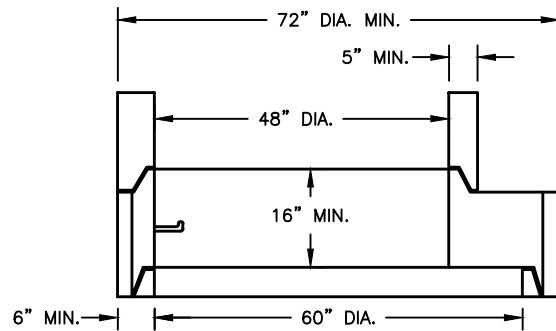
FLAT SLAB TOP
(48" RISERS)



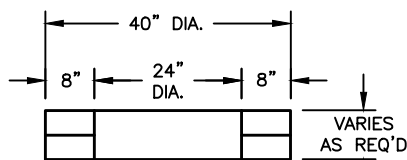
FLAT SLAB TOP
(60" RISERS)



ECCENTRIC CONE TOP
(48" RISERS)



FLAT SLAB TRANSITION
(60" TO 48")



STANDARD GRADE RING

NOTE:
ALL PRE-CAST MANHOLE SECTIONS SHALL BE IN ACCORDANCE WITH ASTM C478.

CITY OF COLUMBUS, OHIO
DEPARTMENT OF PUBLIC UTILITIES
DIVISION OF SEWERAGE & DRAINAGE

John J. Newson

SSES MANAGER

MISCELLANEOUS ITEMS
PRECAST MANHOLES

STANDARD DRAWING
AA-S107

REVISED 7/9/12

PAGE

1

1