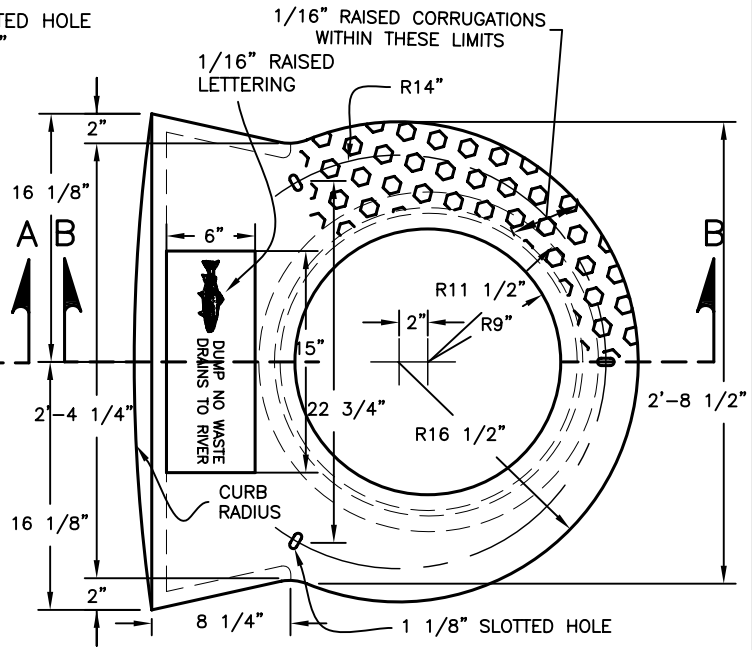
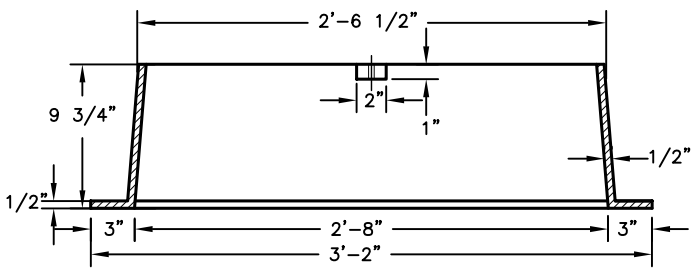


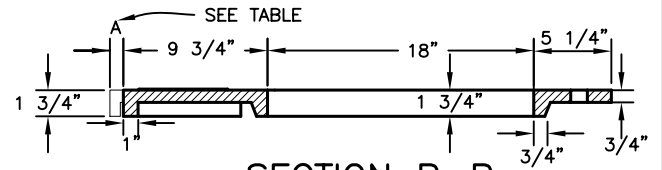
PLAN



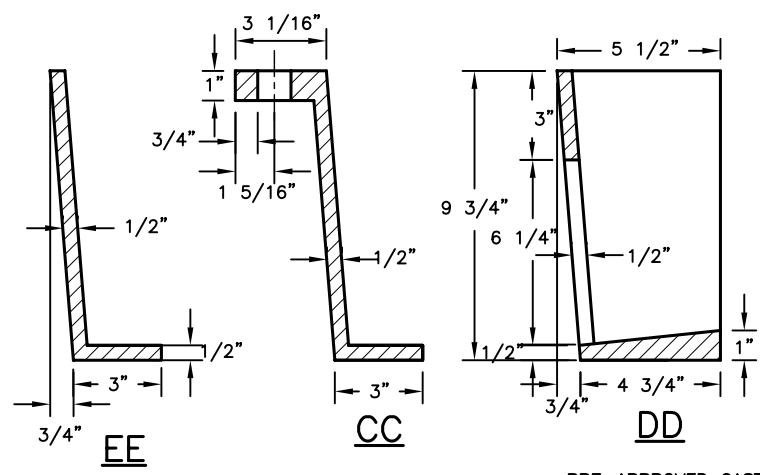
PLAN



SECTION A-A

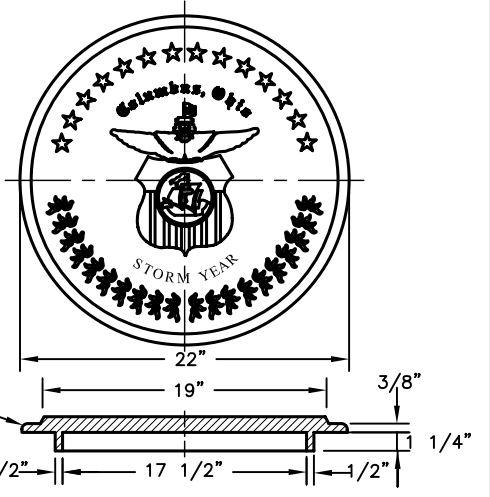


SECTION B-B



SECTIONS

APPROX. WEIGHTS
 FRAME = 214LBS.
 TOP = 163LBS.
 LID = 50LBS.



LID

- NOTES:**
1. FRAMES, GRATES, AND COVERS SHALL MEET REQUIREMENTS OF 604.02.
 2. FOUNDRY NAME SHALL BE CAST ON THE UNEXPOSED SURFACE OF ALL CASTINGS.

PRE-APPROVED CASTINGS:
 EJ NO. - 7530
 NEENAH NO. - 3256

DIMENSION "A" TABLE	
CURB	"A"
STRAIGHT	0.00"
20' RAD.	0.54"
8' RAD.	1.36"

CITY OF COLUMBUS, OHIO
 DEPARTMENT OF PUBLIC UTILITIES
 DIVISION OF SEWERAGE & DRAINAGE

John J. Newson
 SSES MANAGER

CASTINGS
 FOR
 CURB INLETS

STANDARD DRAWING
 AA-S126

REVISED 12/6/13

PAGE 1