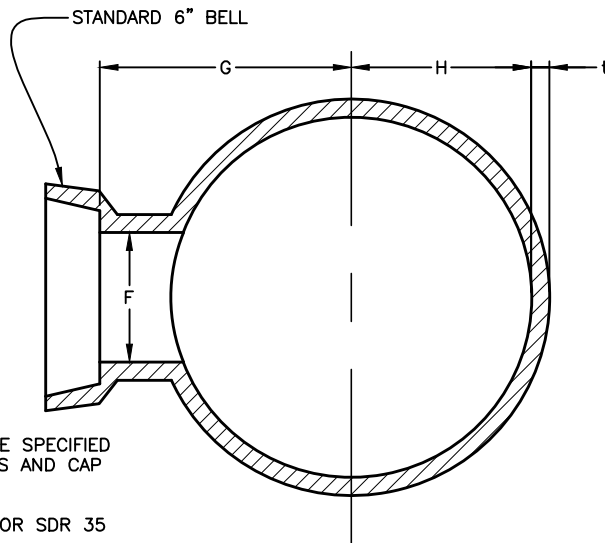


SIDE VIEW



SECTION A-A

GENERAL NOTES:

1. WHEN 8" OR 10" H-H TRAPS ARE SPECIFIED USE PREFABRICATED TEE SECTIONS AND CAP THE APPROPRIATE OPENING.
2. H.H. TRAPS MAY BE EITHER VCP OR SDR 35 PVC PIPE.
3. IN LIEU OF AN H.H. TRAP, A TIDEFLEX SERIES TF-1 CHECK VALVE, SERIES 35-1 CHECK VALVE OR CHECKMATE VALVE MAY BE INSTALLED. ALL INSTALLATIONS SHALL BE PER THE MANUFACTURERS RECOMMENDATION.
4. FOR SEWERS LARGER THAN 15" IN DIAMETER A TIDEFLEX SERIES TF-1 CHECK VALVE, SERIES 35-1 CHECK VALVE OR RODNEY HUNT SERIES FV-AC FLAP GATE MAY BE INSTALLED AT THE DISCRETION OF SSES.

STANDARD DIMENSIONS FOR 12" & 15" H.H. CATCH BASIN TRAPS

TYPE	A	B	C	D	E	F	G	H	t
12" TRAP	12" DIA.	2'-4"	1'-9"	13"	4"	6"	8 3/4"	6"	1"
15" TRAP	15" DIA.	2'-7 3/4"	2'-3 3/4"	13"	6"	6"	10 3/4"	7 1/2"	1 1/4"

CITY OF COLUMBUS, OHIO  
DEPARTMENT OF PUBLIC UTILITIES  
DIVISION OF SEWERAGE & DRAINAGE

*John J. Newson*

SSES MANAGER

H.H. INLET & MANHOLE  
TRAP 15" DIAMETER &  
SMALLER

STANDARD DRAWING  
AA-S163

REVISED 8/8/14

PAGE

1

1