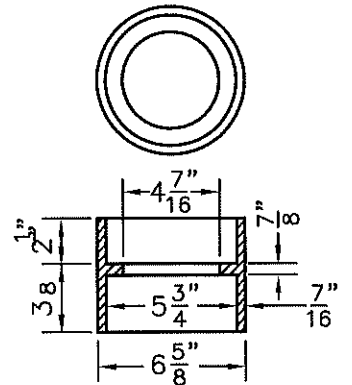
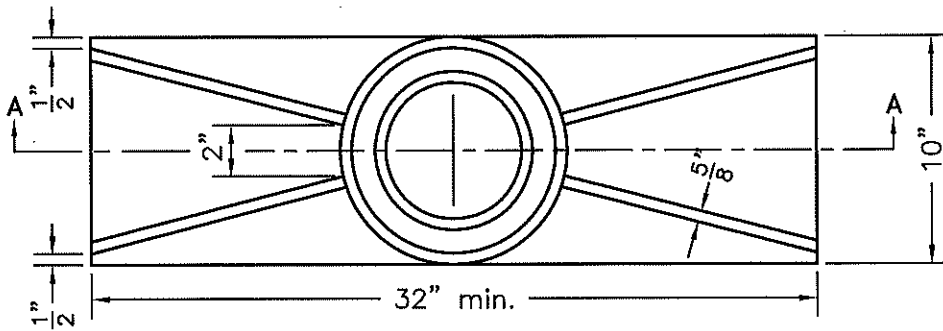


**NOTE:**

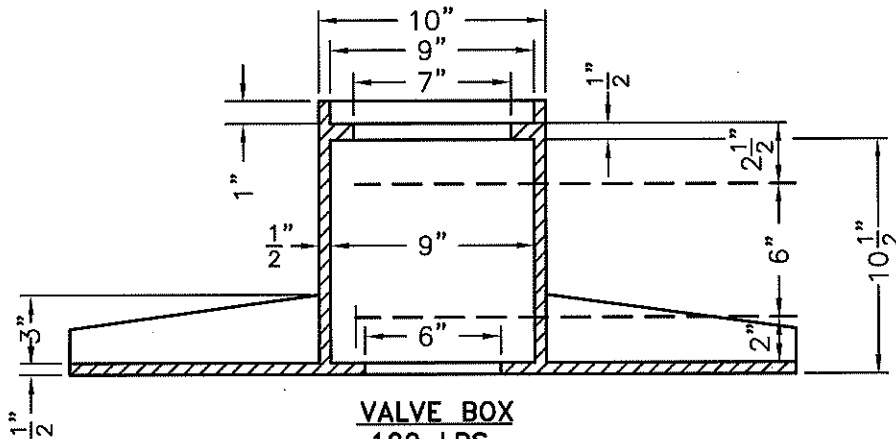
AVERAGE WEIGHTS TO NEAREST EVEN LB. CALCULATED USING 0.26 LB/CU. IN.

**NOTE:**

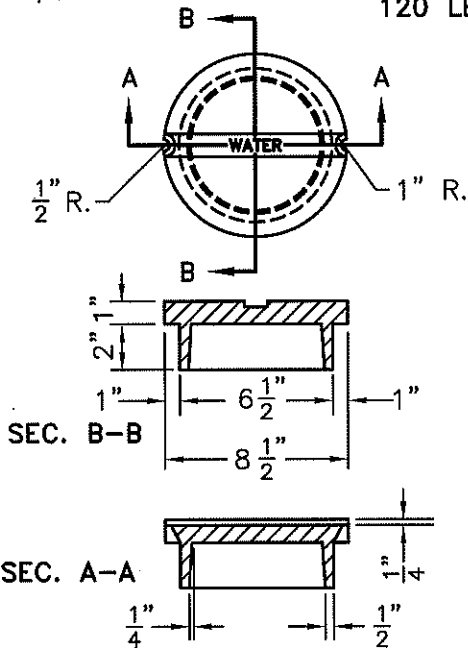
NO MORE THAN ONE VALVE STEM SLEEVE PERMITTED PER VALVE SETTING.



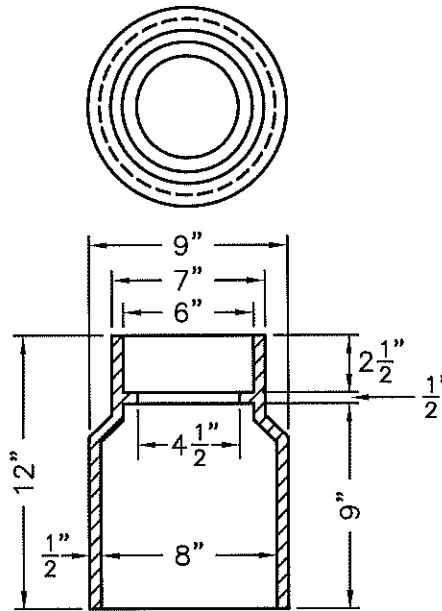
**VALVE STEM SLEEVE**  
14 LBS.



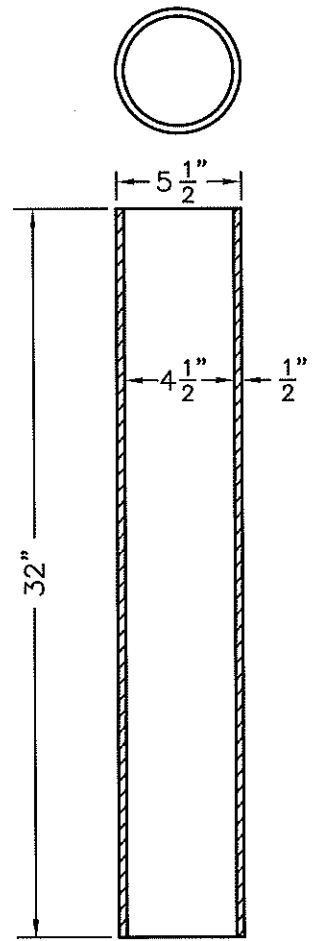
**VALVE BOX**  
120 LBS.



**VALVE BOX LID**  
17 LBS.



**VALVE BOX BASE**  
41 LBS.



**VALVE STEM**  
65 LBS.  
( or 5" C.I. Pipe-ASA022 )

L-6316a.Dwg Revision Date: 1/2/13

CITY OF COLUMBUS  
DEPARTMENT OF PUBLIC UTILITIES  
DIVISION OF WATER

APPROVED:  
*R.C. Westerfield* 1-26-18  
ADMINISTRATOR DATE

STANDARD DETAIL  
COLUMBUS STANDARD  
HEAVY DUTY VALVE BOX

