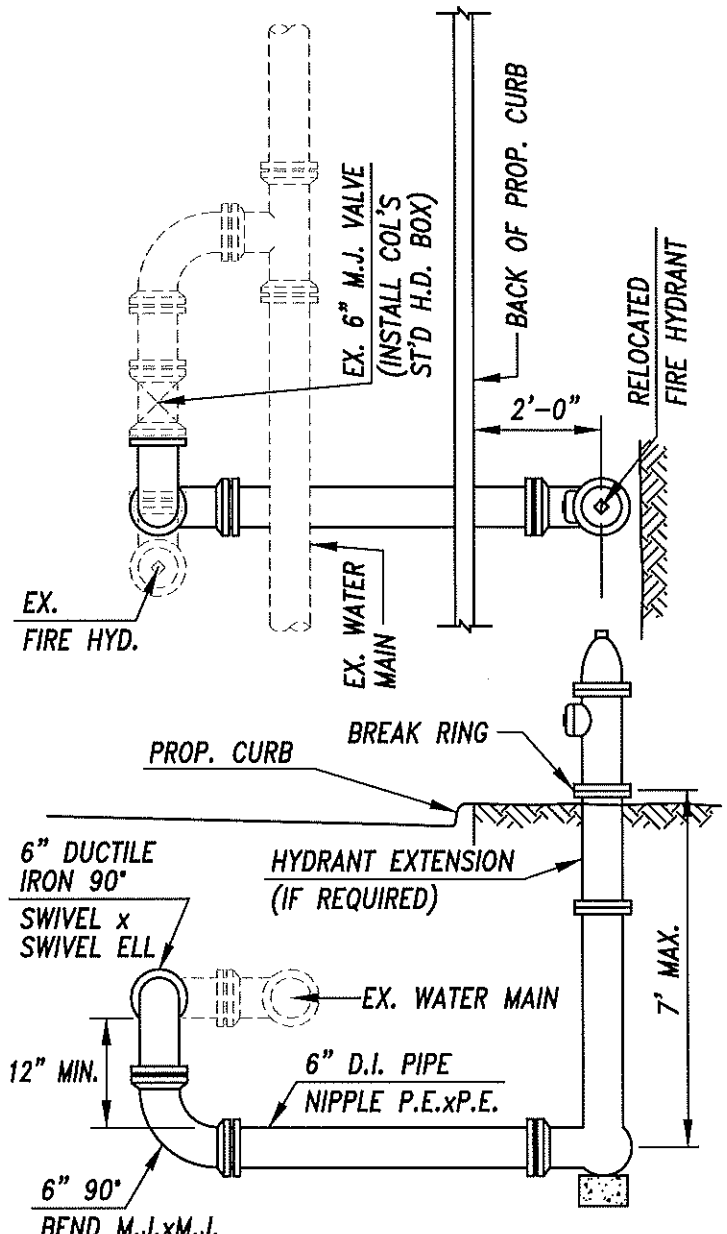


**TYPE "A" RELOCATION**



**TYPE "B" RELOCATION**

1. ALL FIRE HYDRANTS SHALL BE ADJUSTED TO FINAL GRADE.
2. FIRE HYDRANT RELOCATIONS SHALL CONFORM TO APPLICABLE SECTIONS OF C.M.S.C. ITEM 809. WORK SHALL CONSIST OF REMOVING HYDRANT, INSTALLING NEW 6" PIPE & FITTINGS AS REQUIRED TO SET HYDRANT 2' BACK OF CURB OR 8' OFF THE EDGE OF PAVEMENT, RESETTING HYDRANT AND CONCRETE BLOCKING AS REQUIRED. HYDRANT & FITTINGS SHALL BE RESTRAINED, ACCORDING TO STANDARD HYDRANT DETAILS.
3. THE DIVISION OF WATER SHALL BE NOTIFIED AT LEAST 48 HOURS PRIOR TO CONSTRUCTION INVOLVING WATER FACILITIES.

4. ALL EX. VALVES SHALL BE OPERATED BY DIVISION OF WATER PERSONNEL ONLY, AS STATED IN CHAPTER 1113 OF THE COLUMBUS CITY CODES & ITEM 801.18.
5. BACKFILLING OF ALL WATER LINE TRENCHES AND EXCAVATIONS SHALL BE IN ACCORDANCE WITH ITEM 801 OF THE C.M.S.C.. NO GRITS WILL BE PERMITTED IN WATER LINE TRENCH BACKFILL.
6. SHOULD THE RELOCATED HYD. BE MORE THAN 15' FROM THE EXIST. HYD. VALVE THEN AN ADDITIONAL 6" M.J. VALVE SHALL BE INSTALLED, AND RESTRAINED, WITHIN 2' OF THE RELOCATED HYDRANT. IF IN CURB AREA USE CONFIGURATION PER L-6637C.

CITY OF COLUMBUS  
DEPARTMENT OF PUBLIC UTILITIES  
DIVISION OF WATER

APPROVED:

*[Signature]*  
ADMINISTRATOR

7/21/22  
DATE

STANDARD DETAIL  
TYPICAL  
HYDRANT RELOCATION

