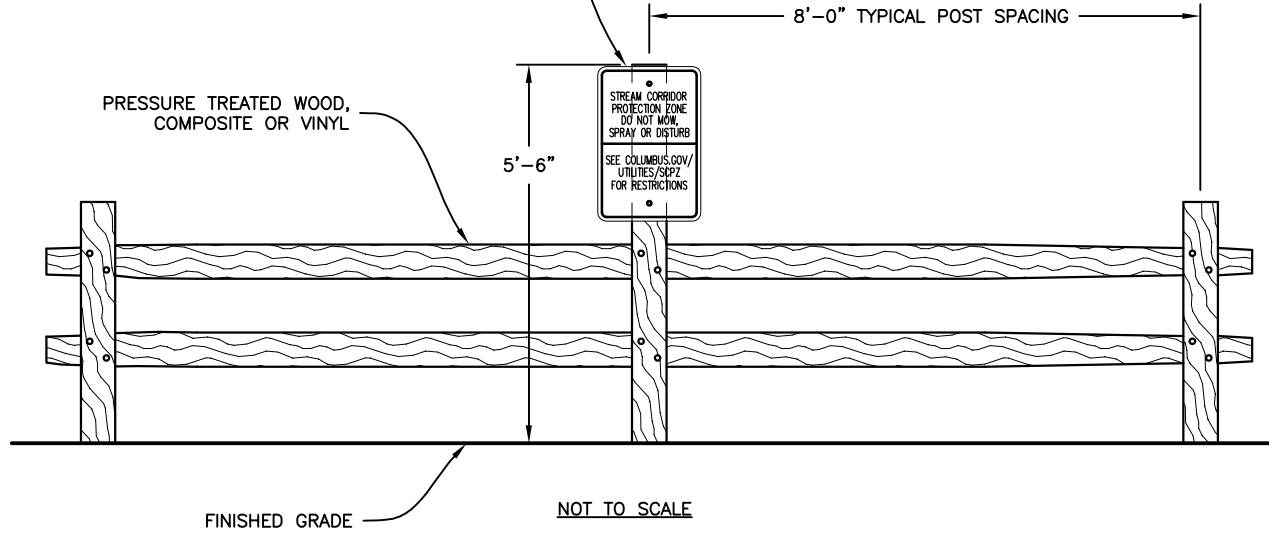


STREAM CORRIDOR
PROTECTION ZONE SIGN
PER STANDARD DRAWING
AA-S178 OR AA-S179



*
IF SIGNS ARE NOTE USED THEN
ALL POSTS SHALL BE 3' TALL

COLOR SCHEDULE
FENCE - WHITE, BROWN OR NATURAL WOOD

NOTE:
ORNAMENTAL METAL FENCE (STEEL OR ALUMINUM) IS AN
ACCEPTABLE ALTERNATIVE. SUCH FENCE MAY BE WHITE,
BROWN OR BLACK.

CONTRACTOR SHALL SUBMIT A SHOP DRAWING FOR
APPROVAL PRIOR TO CONSTRUCTION. SUBMISSION SHALL
INCLUDE PROPOSED COLOR SCHEDULE.

CITY OF COLUMBUS, OHIO
DEPARTMENT OF PUBLIC UTILITIES
DIVISION OF SEWERAGE & DRAINAGE

FENCE WITH
SIGN

STANDARD DRAWING
AA-S180

REVISED 8/11/20

APPROVED:

9/10/20

SSES MANAGER

DATE

PAGE

1

1