

**Transmission & Distribution
Material & Installation Specification**

Three Phase Primary Riser - 600 Amp

I. Quantity

The base bid shall include the indicated number of Underground Cable Risers of the types specified, furnished, and installed as hereinafter specified.

II. Material

- A. The material shall be equal in quality, design, performance to that scheduled on drawing and related TDMIS specifications.
- B. Conduit shall be 5" schedule 40 PVC per TDMIS-1001,1002, and 1003.
- C. Conduit stand-off bracket shall be Alumaform # CSO-6 or -9 with #STS-5 straps, or engineer approved equal.
- D. Cutouts shall be 600A solid blade as shown on drawings.
- E. Lightning arresters shall be "Riser Pole" type and shall conform with TDMIS-27.
- F. Cable and terminations shall conform with TDMIS-1510.

III. Installation

- A. The installation shall be as shown on drawing TDMIS-1303.
- B. Installation shall include all labor, tools, equipment, supervision, and materials for a complete and operational riser assembly.

IV. Method of measurement

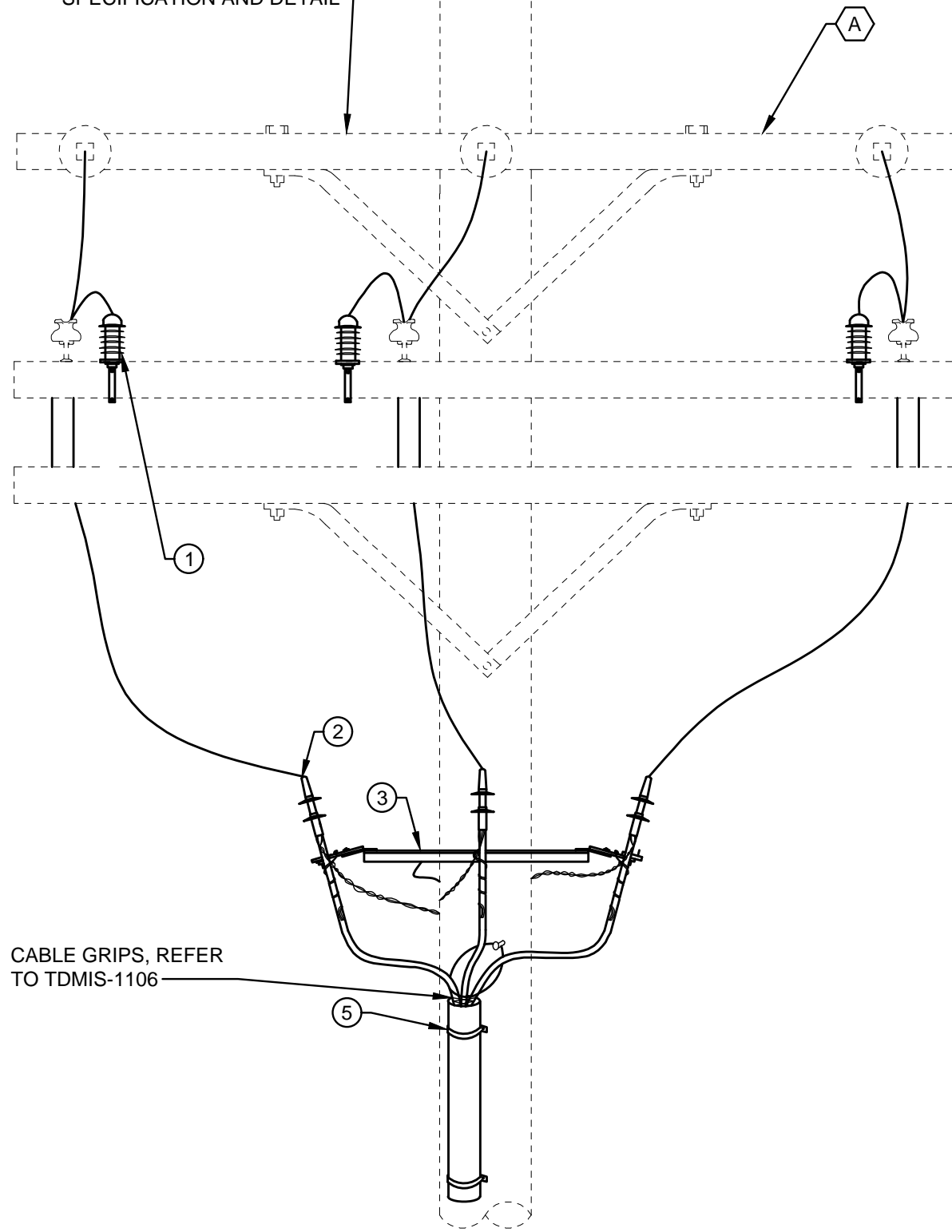
Measurement shall be for each riser assembly including all labor, equipment, tools, materials, supervision, for a complete and operational system assembly. Cable and cable terminations shall not be included here but rather included with the applicable conductor TDMIS.

V. Basis of payment

Items	Unit	Description
TDMIS-1303	Each	Three phase primary riser assembly – 600 AMP

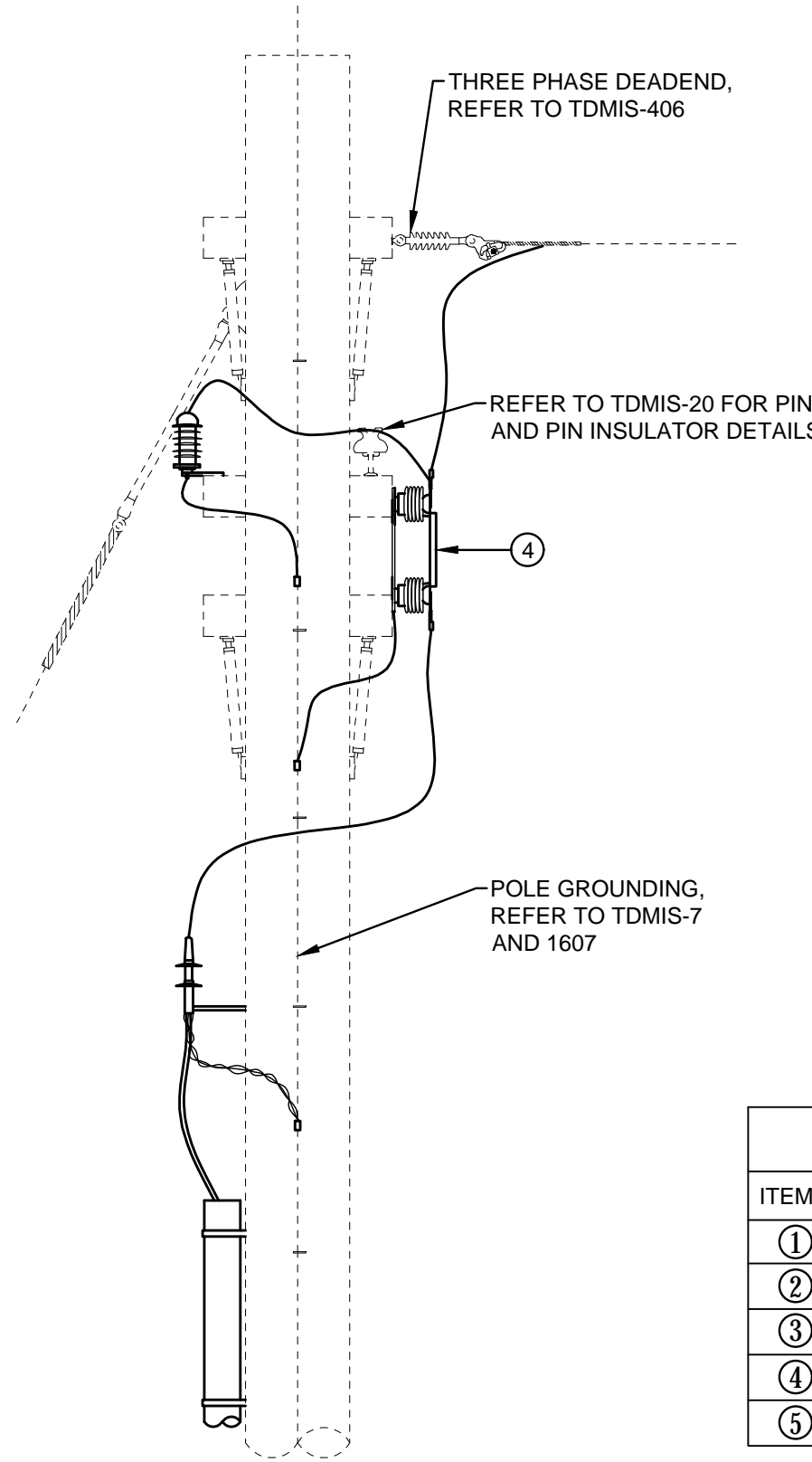
CITY OF COLUMBUS DEPT. OF PUBLIC UTILITIES – DIVISION OF POWER THREE PHASE PRIMARY RISER 600 AMP		
DRAWN BY: AEC	DATE: 01/01/2018	TDMIS-1303
APPROVED: R. SPRITE		
	SHEET 1 of 2	

REFER TO TDMIS-10 AND 11 FOR CROSSARM SPECIFICATION AND DETAIL



CABLE GRIPS, REFER TO TDMIS-1106

THREE PHASE DEADEND, REFER TO TDMIS-406



REFER TO TDMIS-20 FOR PIN AND PIN INSULATOR DETAILS

POLE GROUNDING, REFER TO TDMIS-7 AND 1607

CODED NOTES:

A OVERHEAD CONSTRUCTION COULD BE TANGENT, SPACER CABLE OR DEADEND CONSTRUCTION. REFER TO ASSOCIATED TDMIS RESPECTIVELY.

ITEM LIST

ITEM#	DESCRIPTION	PART #	QTY.
①	LIGHTNING ARRESTER		3
②	RISER TERMINATION POTHEAD	21068	3
③	BRACKET		1
④	SOLID BLADE SWITCH, 600 AMP	20498	3
⑤	CONDUIT STRAP		AS REQ.

CITY OF COLUMBUS, OHIO
DEPT. OF PUBLIC UTILITIES - DIVISION OF POWER

THREE PHASE PRIMARY RISER - 600 AMP

DRAWN BY: AEC DATE: 01/01/2018

APPROVED: R. SPRITE

SCALE: NTS SHEET: 2 OF 2

TDMIS-1303

DETAIL 1

THREE PHASE PRIMARY RISER - 600 AMP