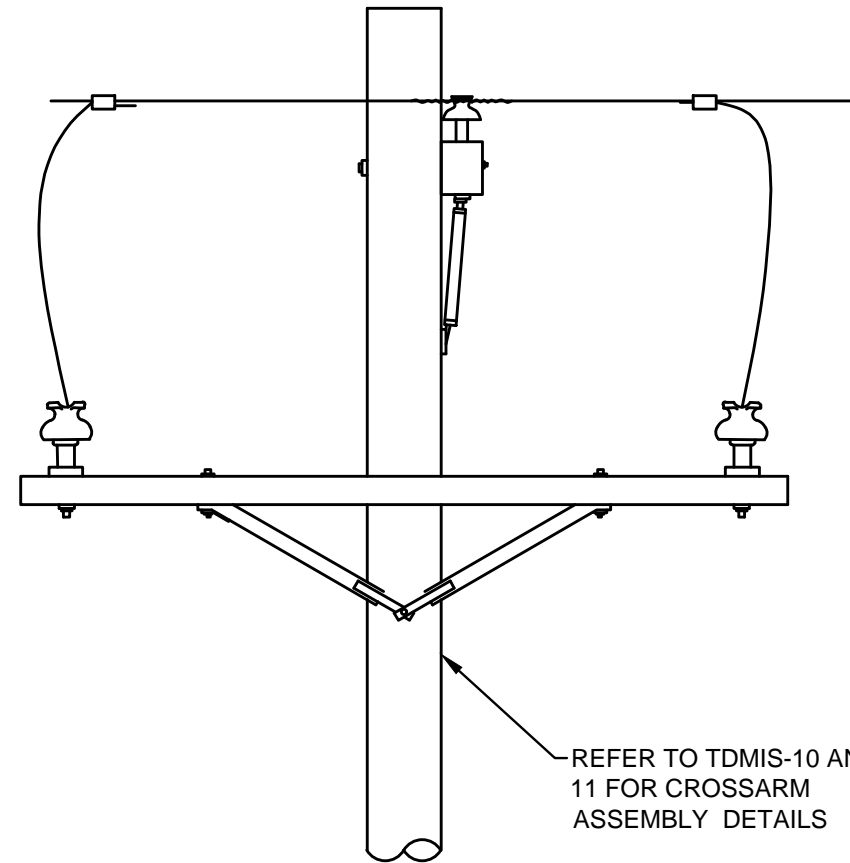
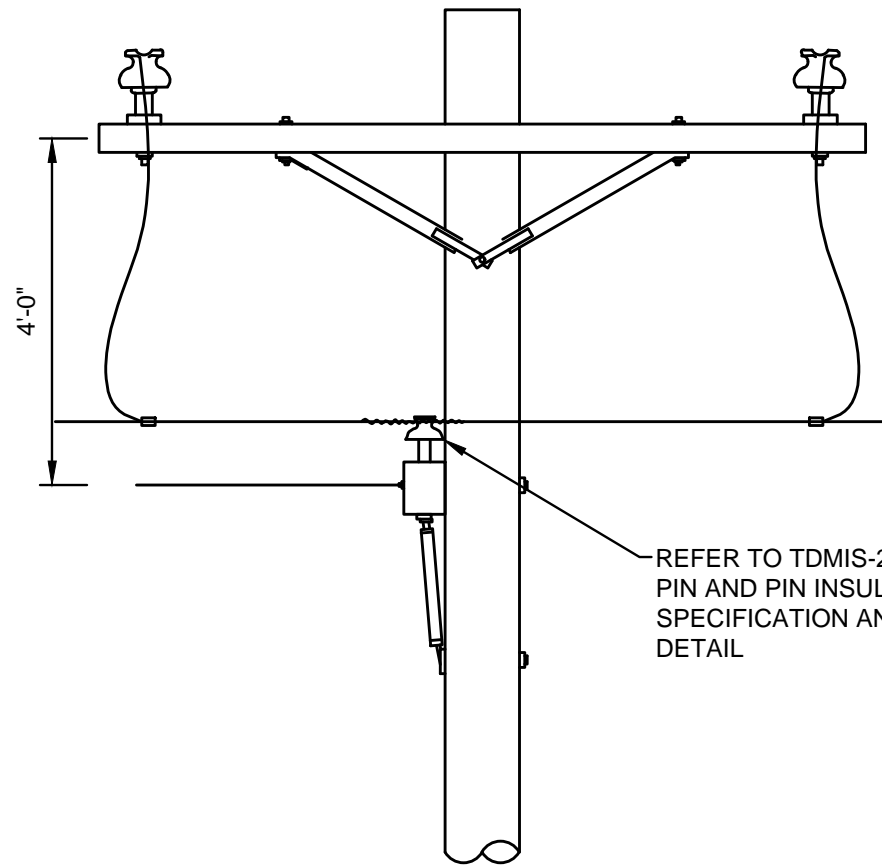


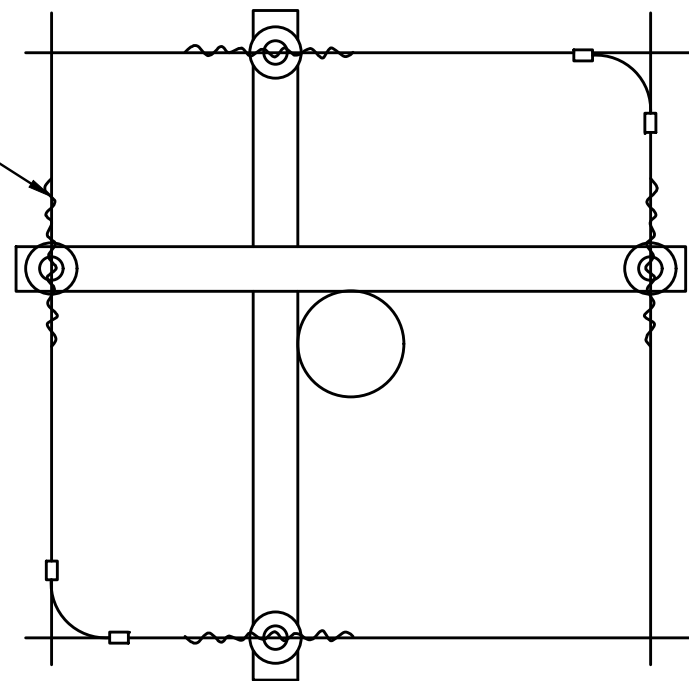
GENERAL NOTES:

1. THE CITY WILL PAY FOR ALL WORK INSTALLED AS SPECIFIED IN THIS DRAWING ACCORDING TO THE APPROPRIATE CONTRACT ITEMS FOR EACH COMPONENT OF THE WORK.



**DETAIL 1
FOUR WAY CORNER**

REFER TO TDMIS-24&25 FOR INSULATOR TIE DETAILS



**DETAIL 2
PLAN VIEW**

REFERENCE LIST

TDMIS	DESCRIPTION
1	WOOD POLES
10	WOOD CROSSARM - WOOD BRACES
11	WOOD CROSSARM - STEEL BRACES
20	PIN AND PIN INSULATOR
24	COPPER CONDUCTOR HAND-MADE INSULATOR TIES
25	ALUMINUM CONDUCTOR HAND-MADE INSULATOR TIES

THIS DRAWING IS FOR REFERENCE ONLY

CITY OF COLUMBUS, OHIO
DEPT. OF PUBLIC UTILITIES - DIVISION OF POWER

**FOUR WAY CORNER
2 PHASE CONSTRUCTION
R. SPRITE**

DRAWN BY: AEC	DATE: 01/01/2018
APPROVED:	
SCALE: NTS	SHEET: 1 OF 1

TDMIS-210