

I. MATERIALS AND INSTALLATION

A. METER SOCKET

THE METER SOCKET SHALL HAVE A SINGLE POSITION CARRYING A 100 AMP SERVICE, 600 VOLT RATED, 4 TERMINAL, RINGLESS TYPE, SINGLE PHASE, UL LISTED, SURFACE MOUNTABLE, AND USED FOR UNDERGROUND AND OVERHEAD SERVICE. THE METER SOCKET ENCLOSURE SHALL BE GALVANIZED STEEL AND HAVE A POWDER COATED GREY FINISH.

THE METER SOCKET SHALL BE APPROVED EQUAL IN QUALITY, DESIGN, SIZE AND PERFORMANCE TO MANUFACTURER MILLBANK ENERGY AT WORK, CATALOG NUMBER U4175-RL-BLG, 100A 4T RL OU.

THE CONTRACTOR SHALL FURNISH AND INSTALL THE METER SOCKET. THE DIVISION OF POWER (DOP) WILL FURNISH AND INSTALL THE METER AND TAMPER PROOF LOCK. THE CONTRACTOR SHALL COORDINATE THE INSTALLATION OF THE METER DIRECTLY WITH THE DOP METER SHOP BY CALLING 614-645-8176 A 48 HOUR NOTICE IS REQUIRED PRIOR TO HAVING A METER INSTALLED.

THE DIVISION OF POWER ELECTRICAL INSPECTION FORM IS TO BE COMPLETED AND RETURNED TO THE DOP METER SHOP PRIOR TO REQUESTING A METER TECHNICIAN INSTALL A METER. SEE SHEET 4 OF THIS SPECIFICATION.

B. GROUNDING

THE METER SOCKET AND COVER SHALL BE GROUNDED AS PER NEC SPECIFICATIONS. SEE SHEET 3 FOR GROUNDING DETAILS.

C. STREET LIGHTING CONTROLLER CABINET ACCESS HOLE

SECURE THE METER SOCKET TO THE SIDE OF THE STREETLIGHT CONTROLLER CABINET BY CONSTRUCTING A 1-1/2 INCH DIAMETER HOLE INTO THE SIDE OF THE STREETLIGHT CONTROLLER CABINET IN ALIGNMENT WITH THE METER SOCKET KNOCKOUT OPENING BY USING A HYDRAULIC PUNCH DRIVER. THE CONTRACTOR SHALL TAKE CARE WHEN PERFORMING THE WORK TO AVOID DAMAGE TO THE STREETLIGHT CONTROLLER AND ITS ELECTRICAL SYSTEM. THE CONTRACTOR SHALL BE RESPONSIBLE FOR ANY CORRECTIVE ACTION IF DAMAGE HAS OCCURRED. THE CONTRACTOR SHALL REPORT ANY DAMAGE IMMEDIATELY TO THE FIELD ENGINEER.

A 1-1/2 INCH GALVANIZED CONDUIT CHASE NIPPLE SHALL BE PLACED INTO THE 1-1/2 INCH ACCESS HOLE TO SECURE THE METER SOCKET TO THE STREETLIGHT CONTROLLER CABINET.

THE ACCESS HOLE BETWEEN THE METER SOCKET AND STREET LIGHTING CONTROLLER CABINET SHALL BE WATERTIGHT. (SEE SHEET 3, FIGURE 7 FOR FURTHER INSTALLATION DETAILS)

THE 1-1/2 INCH RIGID CONDUIT NIPPLE AND LOCKNUT SHALL BE APPROVED FOR OUTSIDE USE, ACCOMMODATE A KNOCKOUT SIZE OF 1-1/2 INCHES, HAVE A UL AND CSA LISTING, SHALL BE GALVANIZED STEEL, CORROSIVE

RESISTANT AND ENSURES GROUND CONTINUITY.

THE CONTRACTOR SHALL INSTALL THE METER SOCKET AS SHOWN ON SHEETS 2 AND 3.

D. ARC FLASH LABEL

THE REQUIRED ARC FLASH LABEL SHALL BE AFFIXED TO THE FACE OF THE COVER OF THE METER SOCKET.

II. ELECTRICAL SAFETY

1. DISCONNECT POWER TO ANY ELECTRICAL DEVICES BEING SERVICED OR INSTALLED. PRIOR TO REMOVING OR SERVICING THE METER UNDER LOAD, THE STREETLIGHT CONTROLLER SHALL BE SHUTOFF IN THE OFF POSITION AND PROPERLY LOCKED AND TAGGED OUT (LOTO). NO WORK SHALL BE PERFORMED ON THE METER PRIOR TO SHUTTING OFF THE LOAD TO THE STREETLIGHT CONTROLLER.

2. ENSURE ALL METALLIC ENCLOSURES OR PANELS ARE GROUNDED PRIOR TO ENERGIZING.

3. ENSURE ALL CONNECTIONS ARE TIGHT AND NO INSULATION IS CAUGHT IN THE TERMINAL.

4. LOCKOUT/TAGOUT (LOTO) PROCEDURES SHALL BE FOLLOWED AT ALL TIMES. (SEE MIS-1). THE CONTRACTOR SHALL ATTEND THE DIVISION OF POWER (DOP) CONTRACTOR SAFETY TRAINING PRIOR TO PERFORMING ANY ELECTRICAL WORK ON FACILITIES BELONGING TO THE DOP.

5. ALL WORK SHALL BE INSTALLED BY A LICENSED/STATE OF OHIO CERTIFICATION AND BONDED ELECTRICIAN.

6. THE CONTRACTOR SHALL FOLLOW OHIO SAFETY AND HEALTH ADMINISTRATION (OSHA) REQUIREMENTS.

III. BASIS OF PAYMENT

ITEM	UNIT	DESCRIPTION
MIS-57	EACH	METER SOCKET, 100 AMP FOR CITY OF COLUMBUS POWERED STREET LIGHTING CIRCUITS

<h1>MIS-57</h1>	DEPARTMENT OF PUBLIC UTILITIES - DIVISION OF POWER CITY OF COLUMBUS, OHIO		
	METER SOCKET, 100 AMP FOR CITY OF COLUMBUS POWERED STREET LIGHTING CIRCUITS		
	DRAWN BY: SAW	DATE: 12/7/23	
	APPROVED: <i>Jodi Stefanik</i>		
SCALE: NONE	SHEET: 1 OF 4	57	

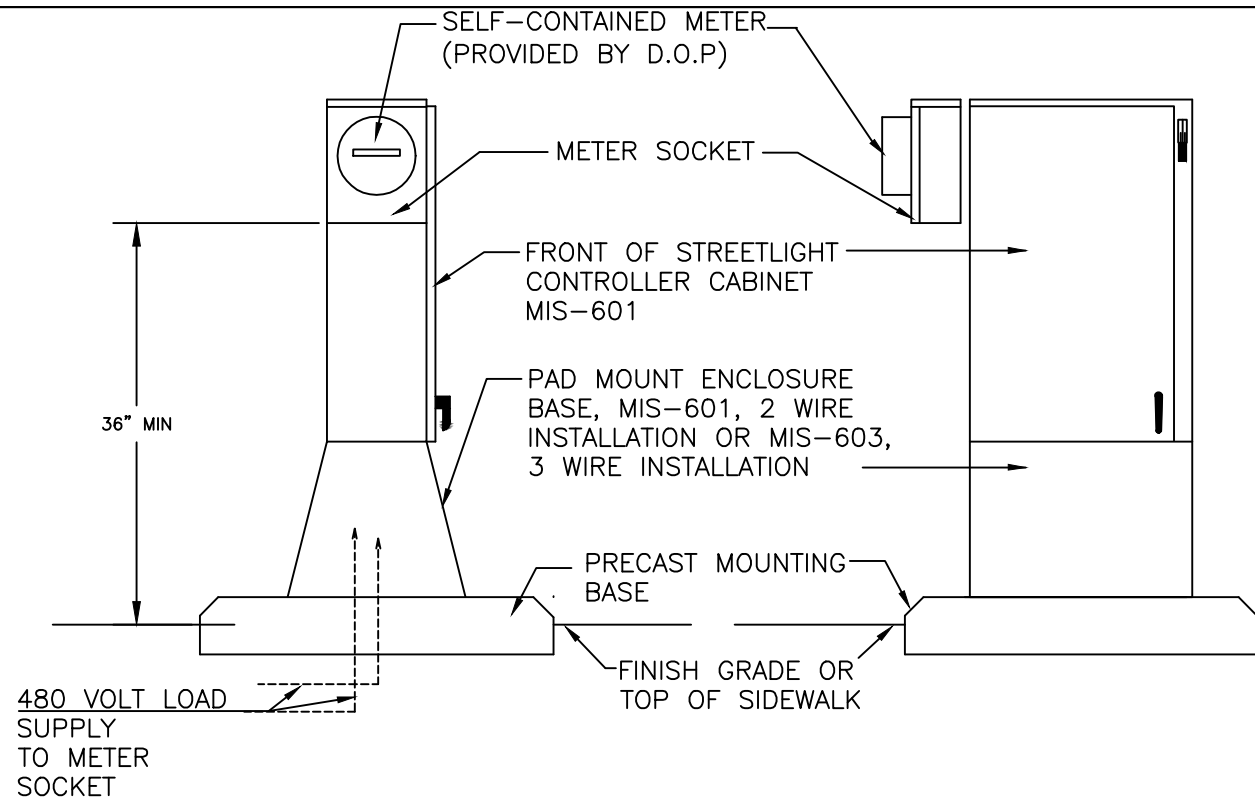


FIGURE 1
SELF-CONTAINED METER AND
PAD MOUNTED STREETLIGHT
CONTROLLER FOR UNDERGROUND
SERVICE

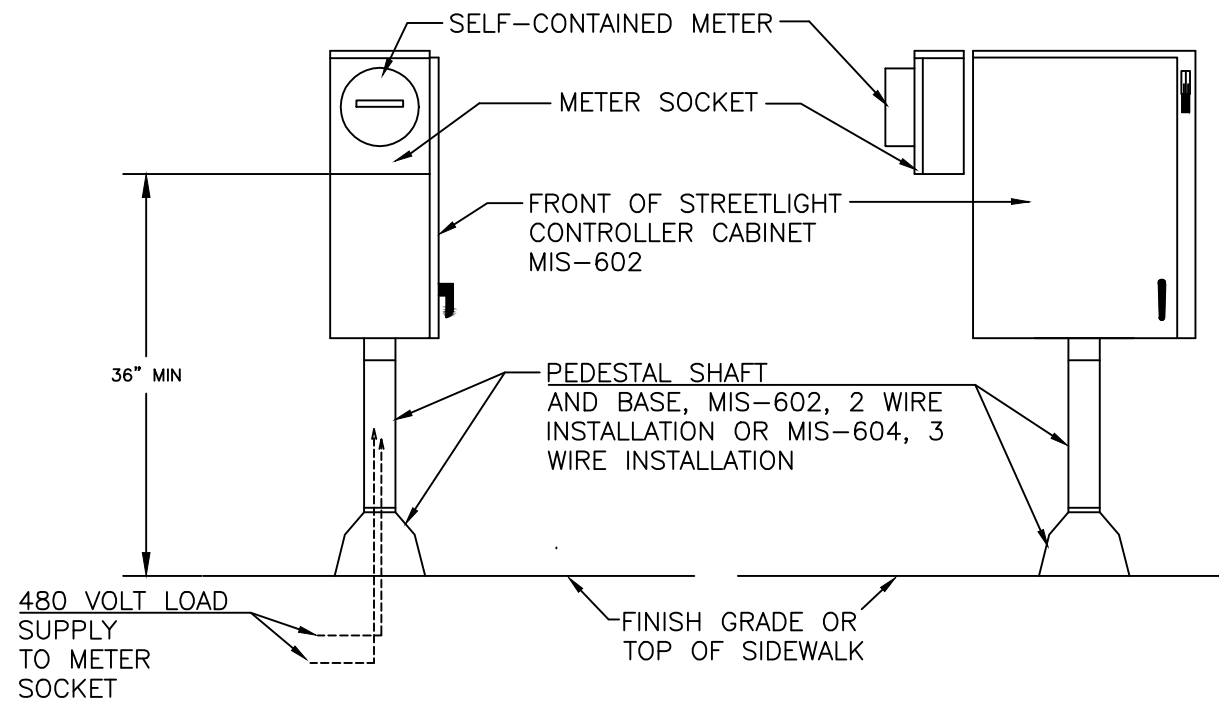


FIGURE 2
SELF-CONTAINED METER AND
PEDESTAL MOUNTED STREETLIGHT
CONTROLLER FOR UNDERGROUND
SERVICE

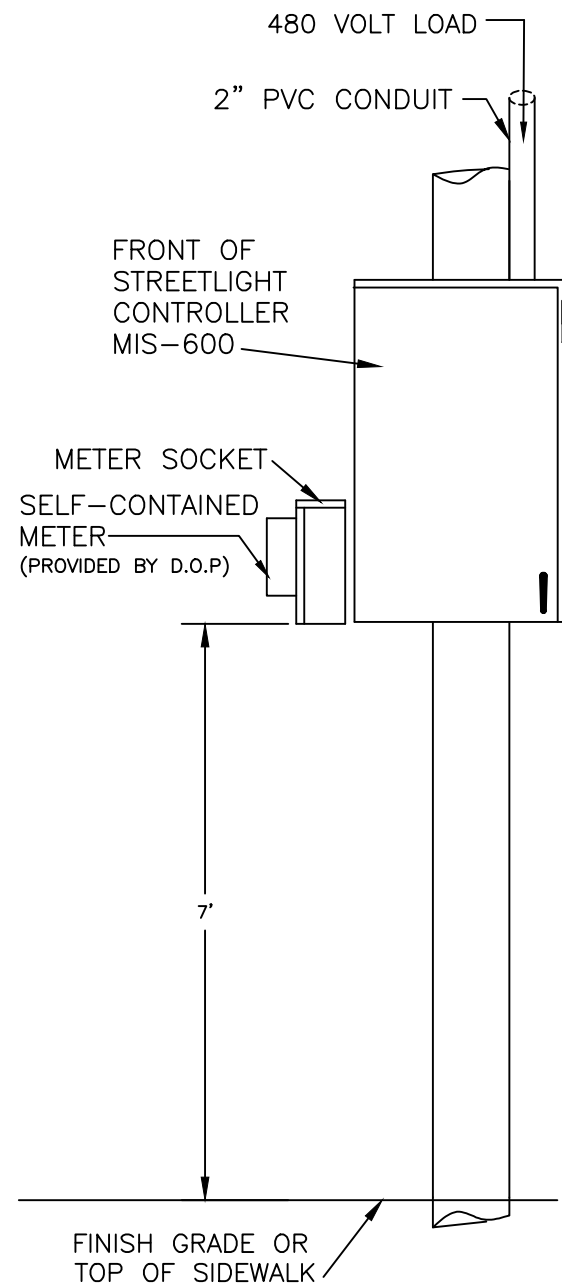


FIGURE 3
SELF-CONTAINED METER AND
POLE MOUNTED STREETLIGHT
CONTROLLER FOR OVERHEAD
SERVICE

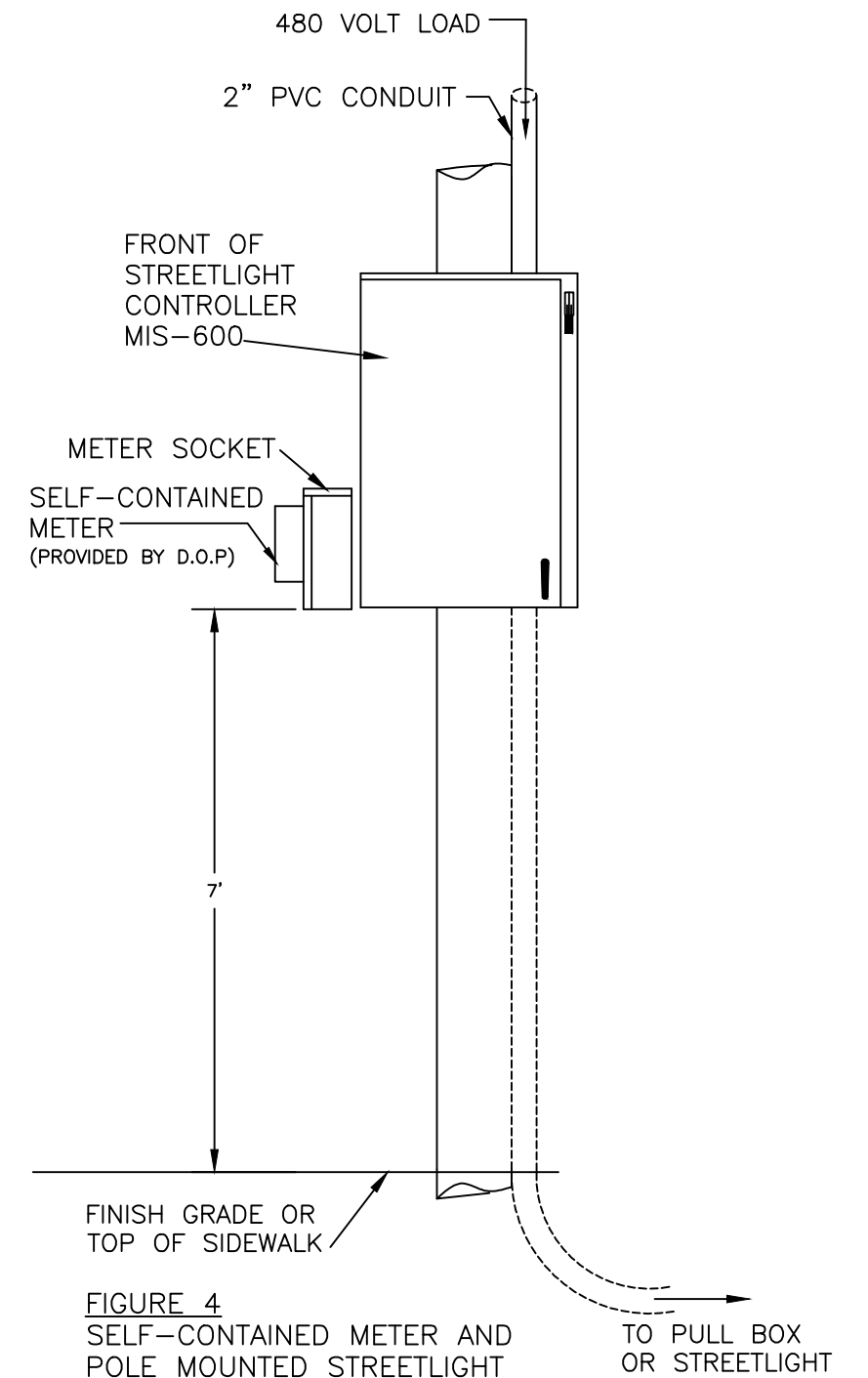


FIGURE 4
SELF-CONTAINED METER AND
POLE MOUNTED STREETLIGHT
CONTROLLER FOR UNDERGROUND
SERVICE

<h1>MIS-57</h1>	DEPARTMENT OF PUBLIC UTILITIES - DIVISION OF POWER CITY OF COLUMBUS, OHIO		
	METER SOCKET, 100 AMP FOR CITY OF COLUMBUS POWERED STREET LIGHTING CIRCUITS		
	DRAWN BY: SAW	DATE: 12/7/23	
	APPROVED: <i>Jodi Stefanik</i>		
SCALE: NONE	SHEET: 2 OF 4	57	

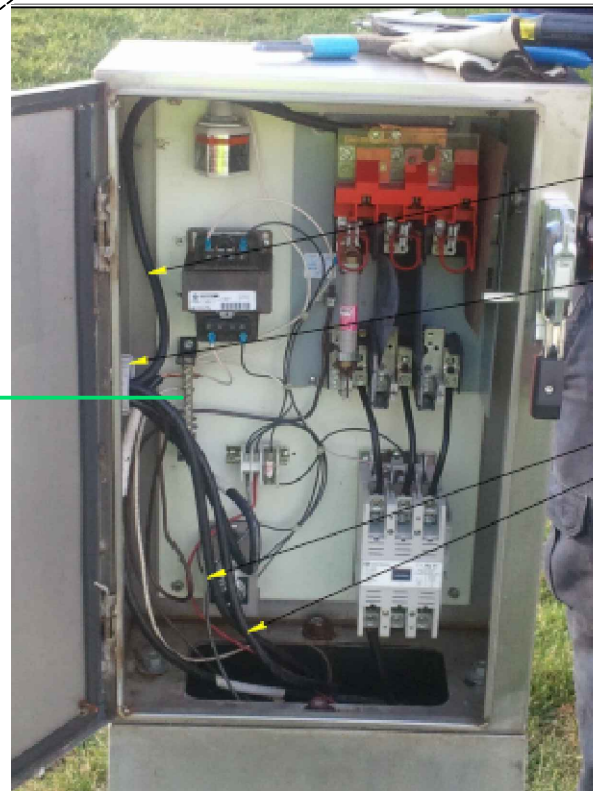


FIGURE 5
ELECTRICAL CONNECTIONS

METER SOCKET
TO CONTROLLER
CONNECTIONS

1-1/2 INCH ACCESS
HOLE

480 VOLT LOAD
SUPPLY TO METER
SOCKET

8 AWG TYPE XHHW
ISOLATED BONDING JUMPER
INSTALLED BETWEEN GROUND LUG
IN METER TRIM AND
NEUTRAL BAR IN CONTROLLER

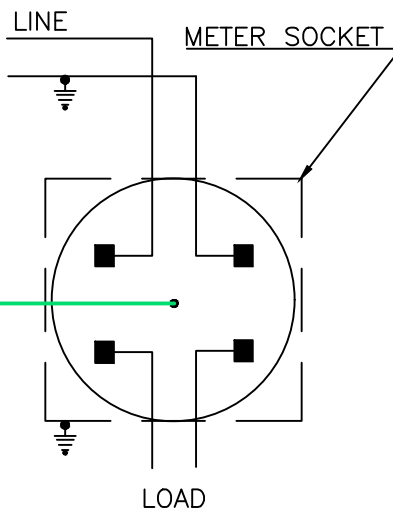


FIGURE 6
FORM 2S METER - SINGLE PHASE
WITHOUT MULTIPLIERS

1-1/2" GALV. RIGID
CONDUIT CHASE NIPPLE

INSULATED
THERMOPLASTIC
OR FIBER BUSHING

1-1/2" GALV.
RIGID CONDUIT
LOCKNUT

APPLY CLEAR EXTERIOR
CAULKING BETWEEN
PERIMETER OF METER
SOCKET & CONTROLLER

METER SOCKET

DOUBLE LOCKNUTS
(INSIDE AND OUTSIDE)

FRONT OF STREETLIGHT
CONTROLLER CABINET

METAL
CONNECTOR

WASHER

NUT

CONNECT #6 BARE
SOLID COPPER GROUND
WIRE TO STAINLESS
STEEL BOLT AND TO
GROUND BAR

1/4" X 3/4" STAINLESS
STEEL BOLT W/ WASHER &
NUT @ ALL 4 CORNERS

FIGURE 7
METER SOCKET CONNECTIONS
TO 1-1/2 INCH ACCESS HOLE OF
STREETLIGHT CABINET

MIS-57

DEPARTMENT OF PUBLIC UTILITIES - DIVISION OF POWER
CITY OF COLUMBUS, OHIO

METER SOCKET, 100 AMP
FOR CITY OF COLUMBUS POWERED
STREET LIGHTING CIRCUITS

DRAWN BY: SAW

DATE: 12/7/23

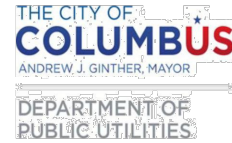
APPROVED: *Jodi Stefanik*

SCALE: NONE

SHEET: 3 OF 4

57

Kristen Atha
Director



Subject: **Inspection Requirements In Areas With No Local Inspection Authority**

Dear Ohio Customer:

Before the City of Columbus, Division of Power (DOP), can connect the electric service, an electrical inspection is required. In areas where there is a local inspection authority, such as within a municipality, compliance with their inspection requirements is required.

In areas where there is no local inspection authority, DOP must verify that the installation of the electric service's meter base and associated equipment have been inspected by a State of Ohio licensed electrician (or an Ohio licensed professional engineer). Before this service can be energized DOP must receive verification of the inspection by a State of Ohio licensed electrician (or an Ohio licensed professional engineer).

DOP customers need to contact a State of Ohio licensed electrician (or professional engineer) and have them inspect their meter base, if applicable, and equipment. After the inspection, the electrician must fill out the bottom portion of this letter, and send or fax it to us to report the inspection.

I am a State of Ohio licensed electrician (or professional engineer) and on _____ (DATE)

I inspected the meter base and associated equipment for a service installation for

_____ (Customer Name)
_____ (House/Apt#) _____ (Street Name)
_____ (City)

Based upon my experience and training as an electrician I find the meter base and associated equipment at this service location approved for connection and ready to be energized.

(Electrician's Signature)

(Please PRINT Electrician's Name Here)

(Please PRINT Firm Name Here)

(Electrician's Phone Number Here)

(State of Ohio License Number Here)

DOP Address: Division of Power
3500 Indianola Avenue
Columbus, OH 43214

DOP Fax: 614-645-5814



Customer Service | Telephone (614) 645-8276 | Fax (614) 645-0222 | TDD (614) 645-7188
Power Division | 3500 Indianola Avenue | Columbus, OH 43214 | Telephone (614) 645-8371 | Fax (614) 645-7830
Sewerage and Drainage | 1250 Fairwood Avenue | Columbus OH 43206 | Telephone (614) 645-7175 | Fax (614) 645-3801
Water Administration | 910 Dublin Road Columbus OH | 43215 | Telephone (614) 645-7020 | Fax (614) 645-3993
Director's Office | 910 Dublin Road | Columbus OH 43215 | Telephone (614) 645-6141 | Fax (614) 645-8019
columbus.gov

THE CONTRACTOR SHALL COORDINATE THE INSTALLATION OF THE METER DIRECTLY WITH THE D.O.P METER SHOP BY CALLING 614-645-8176.

THE D.O.P METER SHOP IS TO CONTACTED NO LESS THAN 48 HOURS PRIOR TO THE DAY A METER IS REQUIRED TO BE INSTALLED.

THE DIVISION OF POWER ELECTRICAL INSPECTION FORM IS TO BE COMPLETED AND RETURNED TO THE DOP METER SHOP PRIOR TO A METER TECHNICIAN INSTALLING A METER. NO INSTALLATIONS WILL OCCUR WITHOUT THIS FORM ON FILE WITH THE D.O.P METER SHOP.

<h1>MIS-57</h1>	DEPARTMENT OF PUBLIC UTILITIES - DIVISION OF POWER CITY OF COLUMBUS, OHIO		
	METER SOCKET, 100 AMP FOR CITY OF COLUMBUS POWERED STREET LIGHTING CIRCUITS		
	DRAWN BY: SAW	DATE: 12/7/23	
	APPROVED: <i>Jodi Stefanik</i>		
SCALE: NONE	SHEET: 4 OF 4	57	